

K-500 SERIES WALL TELEPHONES

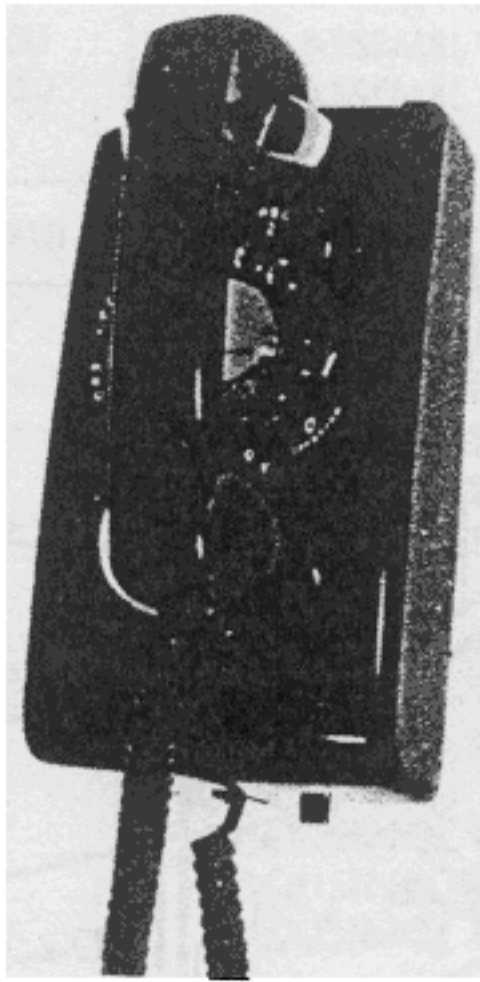


Figure 1. K-500 Series Wall Telephone

1. SCOPE

Section 332 covers general information, parts lists and circuit diagrams for all K-500 series wall mounting telephones - single line and two-line.

2. IDENTIFICATION

Each telephone is identified by a code number stamped in ink on the base. See Table I, Ordering Information, for explanation of each code number.

3. DESCRIPTION AND OPERATION

The K-500 series wall mounting telephones are anti-sidetone, rotary dial type units which will operate efficiently over a wide range of loop resistance and line impedance. They are available in single-line and two-line versions.

3.1 SINGLE-LINE TELEPHONES

The single-line wall telephone is available with any of four special feature options: 30 indicates no special feature; 33 indicates "lift-to-talk" feature; 34 indicates pushbutton ground; 35 indicates separate ring and talk circuits;

K-554**()30. STANDARD WALL TELEPHONE.

Standard rotary dial wall telephone. Options in the instrument provide for any class of service on any type of automatic or manual central office or private exchange equipment. (Some types of PABX equipment require grounding button - special feature 34.)

K-554**()33. LIFT-TO-TALK WALL TELEPHONE

Fitted with special detent type hookswitch. Lifting the handset allows the cradle hook to rise only to the detent position. A capacitor in series with the line prevents dialing or talking, but allows reception. A party line subscriber can thus check for a busy line without disturbing a call in progress. Moving the cradle hook to the left allows it to go to full off-hook position to permit dialing and talking. Replacing the handset returns the cradle hook to full on-hook position - resetting the detent mechanism.

K-554**()34. TELEPHONE WITH GROUNDING BUTTON

A pushbutton switch provides a signaling (grounding) circuit required on some PABX equipment. The K-554**()30 may be converted to K-554**()34 by installing 79095-1 pushbutton assembly and connecting as shown in circuit for K-554**()34.

K-554**()35. TELEPHONE WITH SEPARATE RING AND TALK CIRCUITS

Ring and talking are accomplished over separate two-wire circuits. May be equipped with a 20 cps biased ringer or a buzzer may be installed in the instrument if direct current is to be used for signaling.

3.2 TWO-LINE TELEPHONES

Two versions are available, the standard 2-line wall telephone (K-558) or the 2-line wall telephone with HOLD feature (K-555).

K-558**()30. TWO-LINE WALL TELEPHONE

A turn and push key permits selecting either of two lines. The push section of the key is provided for signaling if required. The ringer is permanently connected to line 1 and a separate ringer must be provided for line 2.

K-555**()30. TWO-LINE WALL TELEPHONE WITH "HOLD"

Similar to the K-558 except equipped with HOLD feature. Depressing the plunger which protrudes from the top of the housing places a holding loop across the opposite line to that selected by the turn and push key.

TABLE I. ORDERING INFORMATION

CODE	DESCRIPTION	
K-554**()30_	TELEPHONE, Wall, Standard	
K-554**()33_		TELEPHONE, Wall, Lift-to-talk
K-554**()34_		TELEPHONE, Wall, Pushbutton ground.
K-554**()35_	TELEPHONE, Wall, Separate Ring and Talk	
K-555**()30_	TELEPHONE, Wall, 2-line with HOLD	
K-558**()30_	TELEPHONE, Wall, 2-Line	
	<u>Add dial code:</u>	
	R - Regular (Numerals only) M - Metro (Letters and numerals) N - No dial - has dial blank	
	<u>Add Ringer Code:</u>	
	(LR) - Less Ringer (BA) - Straight Line Biased Ringer (TBA) - Straight Line Biased Ringer, with gas tube for superimposed signaling. (---) - Frequency Selective Ringer (Specify ringer, see page 332.04)	
	<u>Substitute Color Code:</u>	
	00 - Black 09 - Ivory 14 - Gray 02 - Red 11 - Pink 15 - White 04 - Yellow 12 - Blue 16 - Sea Green 05 - Green 13 - Beige	

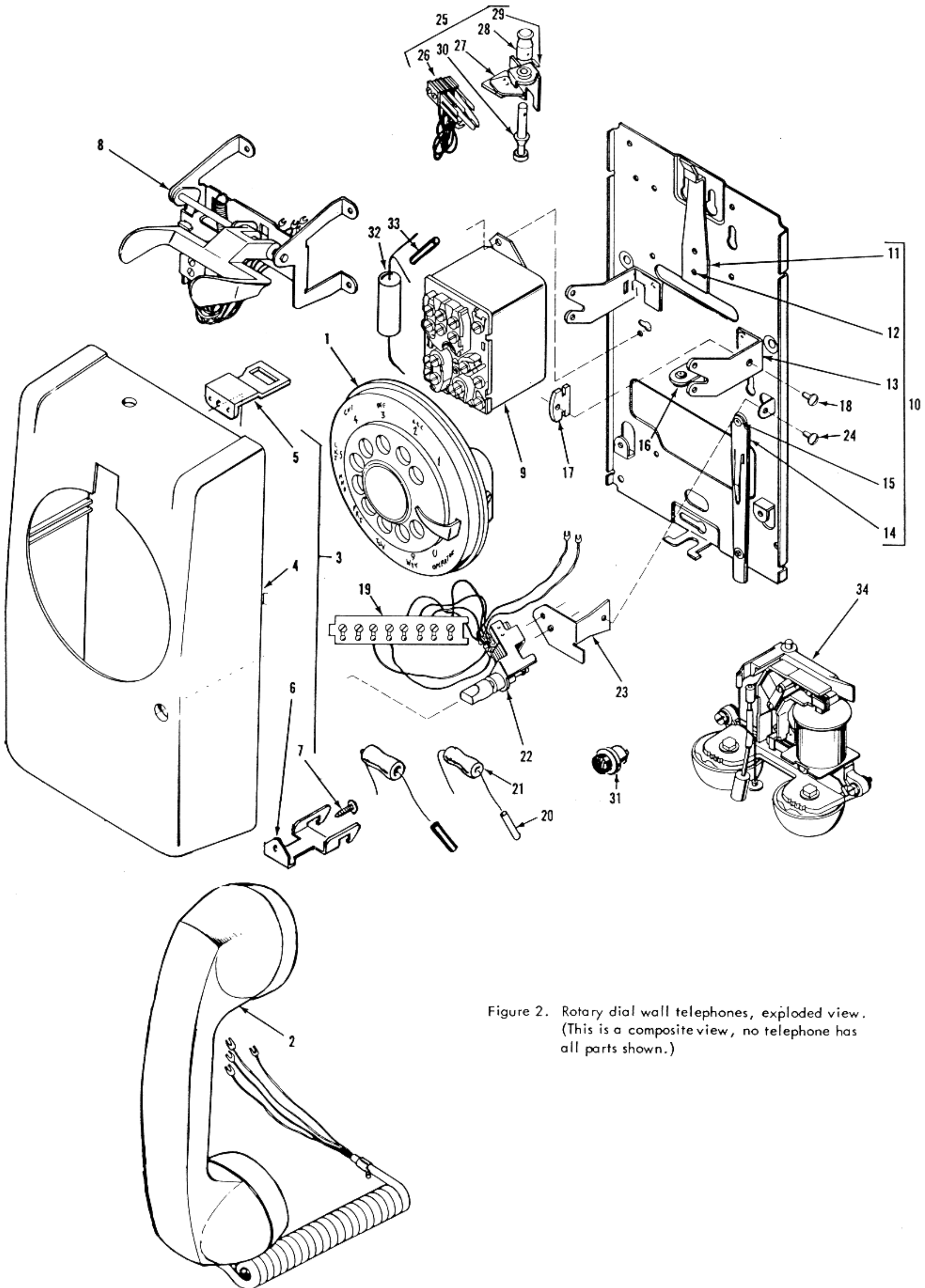


Figure 2. Rotary dial wall telephones, exploded view.
(This is a composite view, no telephone has all parts shown.)

FIGURE NO.	INDEX NO.	PART NUMBER	NAME, Description part under which they are indented)	QUANTITY USED ON:					
(Indented items are included in the				554	554	554	554	555	558
TABLE II. REPLACEABLE PARTS LIST, ROTARY DIAL WALL TELEPHONES				30	33	34	35	30	30
2	1	30**(D)450	DIAL ASSEMBLY, Regular, (Numerals Only)						
	1	30**(G)450	DIAL ASSEMBLY, Metro, (Letters and Numerals)						
	1	79456-**	DUMMY PLUG ASSEMBLY, (Replaces Dial for Manual Operation)						
	2	65**(C2)410	HANDSET ASSEMBLY, Complete	1	1	1	1	1	1
	3	79406-**	HOUSING ASSEMBLY, (Includes items 4 and 5 thru 7)	1	-	-	1	-	-
	3	190151-**	HOUSING ASSEMBLY, (Includes items 4A and 5 thru 7)	-	1	-	-	-	-
	3	180124-**	HOUSING ASSEMBLY, (Includes items 4B and 5 thru 7)	-	-	1	-	-	-
	3	79877-**	HOUSING ASSEMBLY, (Includes items 4C and 5 thru 7)	-	-	-	-	-	1
	3	180665-**	HOUSING ASSEMBLY, (Includes items 4D and 5 thru 7)	-	-	-	-	1	-
	4	79500-**	HOUSING, (Standard)	1	-	-	1	-	-
	4A	190150-**	HOUSING, (Push-to-Talk)	-	1	-	-	-	-
		86371-1	LABEL, (Push-to-Talk, Black Letters)	-	X	-	-	-	-
		86371-2	LABEL, (Push-to-Talk, White Letters)	-	X	-	-	-	-
	4B	180126-**	HOUSING, (Has .500-inch Hole in Front)	-	-	1	-	-	-
	4C	79876-**	HOUSING, (Has .421-inch Hole in Front)	-	-	-	-	-	1
	4D	84521-**	HOUSING, (Has .421-inch Hole in Front and .469-inch Hole in Top)	-	-	-	-	1	-
	5	79305-1	BRACKET, Latch	1	1	1	1	1	1
	6	79397-1	CATCH, Housing	1	1	1	1	1	1
	7	75407-2	SCREW, Latch Bracket and Catch	2	2	2	2	2	2
	8	79399-1	HOOKSWITCH ASSEMBLY, Complete	1	-	1	1	1	1
		79399-2	HOOKSWITCH; Less Cradle, Pivot Bracket, Pin, and Return Spring	1	-	1	1	1	1
		79417-1	CRADLE, Handset	1	-	1	1	1	1
		79307-1	PIVOT BRACKET	1	-	1	1	1	1
		79304-1	PIN, Pivot	1	1	1	1	1	1
		75307-1	SPRING, Cradle Return	1	1	1	1	1	1
	8	190154-1	HOOKSWITCH ASSEMBLY, Complete (Push-to-Talk)	-	1	-	-	-	-
		32199-1	RIVET, (Hookswitch Attaching) (Same as Network Rivets)	4	4	4	4	4	4
	9	75335-1	NETWORK	1	1	1	1	1	1
		32199-1	RIVET, (Network Attaching) (Same as Hookswitch Rivets)	2	2	2	2	2	2
	10	79398-1	BASE ASSEMBLY (Includes items 11 through 16)	1	1	1	1	1	1
11	79306-1	LATCH HOOK	1	1	1	1	1	1	
12	31944-2	RIVET	6	6	6	6	6	6	
13	87055-1	BRACKET, Dial; LH	1	1	1	1	1	1	
13	87055-2	BRACKET, Dial; RH	1	1	1	1	1	1	
14	79308-1	ARM, Volume Control	1	1	1	1	1	1	
15	75544-1	WASHER	1	1	1	1	1	1	
16	75303-1	GROMMET, Ringer Mounting	1	1	1	1	1	1	
17	79468-1	PLATE, Terminal Board Mounting	1	1	1	1	1	1	
18	180219-1	SCREW, Terminal Board Mounting (Replaces 75392-2 Screw)	1	1	1	1	1	1	
19	79467-1	BOARD, Terminal (10 Terminal Screws)	-	-	-	-	1	1	
19	79467-2	BOARD, Terminal (4 Terminal Screws)	-	-	-	1	-	-	
20	50551-3	TUBING, Resistor	-	-	-	-	4	-	
21	73609-13	RESISTOR	-	-	-	-	1	-	
22	79453-6	KEY ASSEMBLY, Turn-and-Push (Includes Terminal Board and Wiring)	-	-	-	-	-	1	
22	79453-1	KEY ASSEMBLY, Turn-and-Push. (Does Not Include Wiring)	-	-	-	-	-	1	
22	79453-3	KEY ASSEMBLY, Turn-and-Push. (Does Not Include Wiring)	-	-	-	-	1	-	
	79474-1	SCREW, Key Mounting	-	-	-	-	2	2	
23	79920-1	BRACKET, Turn-and-Push Key	-	-	-	-	1	1	
24	180219-1	SCREW, Bracket Mounting (Same as item 18)	-	-	-	-	1	1	
25	84522-1	HOLD KEY ASSEMBLY (Includes Wiring)	-	-	-	-	-	1	
26	84524-1	SPRING ASSEMBLY (Does Not Include Wiring)	-	-	-	-	-	1	
27	84523-1	BRACKET ASSEMBLY, Hold Key	-	-	-	-	-	1	
28	84528-1	HANDLE	-	-	-	-	-	1	
29	95209-1	PIN, Roll	-	-	-	-	-	1	
30	84527-1	PLUNGER	-	-	-	-	-	1	
	79474-1	SCREW, (Hold Key Attaching)	-	-	-	-	-	2	

** Substitute color code (See Table I)

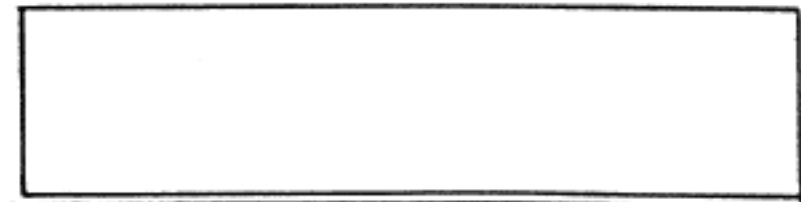


FIGURE NO.	INDEX NO.	PART NUMBER	NAME, Description <small>(Indented items are included in the part under which they are indented)</small>	QUANTITY USED ON:						
				554 /30	554 /33	554 /34	554 /35	555 /30	558 /30	
TABLE II. REPLACEABLE PARTS LIST, ROTARY DIAL WALL PHONES, (Continued)										
2	31	79095-1 180119-1	PUSHBUTTON ASSEMBLY WIRE ASSEMBLY	-	-	1	-	-	-	
	32	78405-4	CAPACITOR	-	1	-	-	-	-	
	33	75488	TUBING, Capacitor	-	2	-	-	-	-	
		75326-54	WIRE, Turn-and-Push-Key, White	-	-	-	-	1	-	
		75326-66	WIRE, Turn-and-Push-Key, Slate-Red	-	-	-	-	1	-	
		75326-68	WIRE, Turn-and-Push-Key, Red	-	-	-	-	1	-	
		75326-69	WIRE, Turn-and-Push-Key, Green(3")	-	-	-	-	1	-	
		75326-70	WIRE, Turn-and-Push-Key, Black	-	-	-	-	1	-	
		75326-71	WIRE, Turn-and-Push-Key, Yellow	-	-	-	-	1	-	
		75326-111	WIRE, Turn-and-Push-Key, Blue	-	-	-	-	1	-	
		75326-113	WIRE, Turn-and-Push-Key, Green (3-1/2")	-	-	-	-	1	-	
		34	130(BA)470 75599	RINGER, Straight Line Biased TUBE, Gas (Used with TBA Ringer) (Not Shown)	X	X	X	X	X	X
		34	----- 156()470 157()470	RINGER, Frequency Selective -With Volume Control, (Replaces 131, 141 or 145) -Less Volume Control, (Replaces 133, 142 or 146) Note: 156 and 157 ringers are connected differently than are the 131, 133, 141, 142, 145 or 146 ringers. Refer to appropriate circuit label for proper connections.	X	X	X	-	X	X
				HARMONIC						
			---(HA1)---	33-1/3 cps						
		---(HA2)---	50 cps							
		---(HA3)---	66-2/3 cps							
		---(HA4)---	16-2/3 cps							
		---(HA5)---	25 cps							
			SYNCHROMONIC							
		---(HB1)---	30 cps							
		---(HB2)---	42 cps							
		---(HB3)---	54 cps							
		---(HB4)---	66 cps							
		---(HB5)---	16 cps							
			DECIMONIC							
		---(HC1)---	20 cps							
		---(HC2)---	60 cps							
		---(HC3)---	30 cps							
		---(HC4)---	40 cps							
		---(HC5)---	50 cps							
		79754-1 79753-1	LINK, Used with Volume Control Ringers (Not Shown) STUD, Used with Volume Control Ringers (Not Shown)							
			** COLOR CODES							
			00 - Black							
			02 - Red							
			04 - Yellow							
			05 - Green							
			09 - Ivory							
			11 - Pink							
			12 - Blue							
			13 - Beige							
			14 - Gray							
			15 - White							
			16 - Sea Green							

4. INSTALLATION

Wall telephones do not include a connecting block or mounting cord. Inside wire must be connected within the telephone. Refer to the appropriate circuit label for connection instructions.

The installation wiring will normally enter the instrument through the left hand opening in the bottom of the housing. Concealed wiring may enter through any suitable hole in the baseplate. Be sure that the leads do not foul the ringer or hookswitch.

5. TEST AND ADJUSTMENT

After phone is installed, check for proper operation of dial, transmitter, receiver, ringer and volume control, hookswitch, sidetone suppression, and any special features.

Check for correct party identification.

Check for noise due to loose contacts when the phone is gently bumped or shaken.

6. DISASSEMBLY AND ASSEMBLY (Figure 2)

NOTE:

The exploded view of figure 2 is composite of all rotary dial wall telephones. All parts shown are not included in all phones.

6.1 HOUSING ASSEMBLY

A. REMOVAL OF HOUSING ASSEMBLY (Telephone)

- (1) Remove Handset from cradle and allow to hang free.
- (2) Press bottom of Housing toward the Base and push the Catch (6) upward, then pull bottom of Housing outward. Release the Catch.
- (3) Work the Housing up and over the Handset Cradle and the Latch Hook (11).

Note:

To remove housing from manual telephone remove the Dummy Plug first. Press down on the number card assembly and remove. Remove the center screw and the Dummy Plug. Remove Housing as described above.

B. INSTALLATION OF HOUSING ASSEMBLY

- (1) Remove Handset from cradle and allow to hang free.
- (2) Tilt top of Housing back and install the Latch Bracket (5) over the Latch Hook (11).
- (3) Swing the Housing down and press inward until it latches in position. (Be sure installation cord and handset cord are in their respective recesses in the Housing.)

NOTE:

On manual telephones, install the Dummy Plug assembly and the number card assembly. On 2-line phones, work the housing over the HOLD plunger (555 phone) and over the turn and push key. Use the finger or a small tool to hold the turn-and push key in position while installing the housing.

6.2 DIAL ASSEMBLY

A. REMOVAL OF DIAL

Remove Housing. Disconnect leads, loosen the mounting screws and lift off dial.

B. INSTALLATION OF DIAL

Connect leads, (refer to appropriate wiring diagram). Insert Dial in mounting brackets so the locating pins seat in the holes in the brackets. Tighten mounting screws. Install housing.

6.3 RINGER

A. REMOVAL OF RINGER

Remove housing. Disconnect ringer leads, remove the two mounting screws and work ringer out.

B. INSTALLATION OF RINGER

Insert the stud of the Ringer into the grommet in the Hookswitch Bracket. Install the two mounting screws and connect leads. (Refer to appropriate wiring diagram.) Install Housing.

6.4 HANDSET

A. REMOVAL OF HANDSET

Remove Housing. Disconnect the handset leads, unhook the cord strain relief from the base and remove Handset and Cord assembly.

B. INSTALLATION ON HANDSET

Insert cord strain relief in the base and connect leads. (Refer to appropriate wiring diagram.) Install Housing.

6.5 NETWORK AND HOOKSWITCH

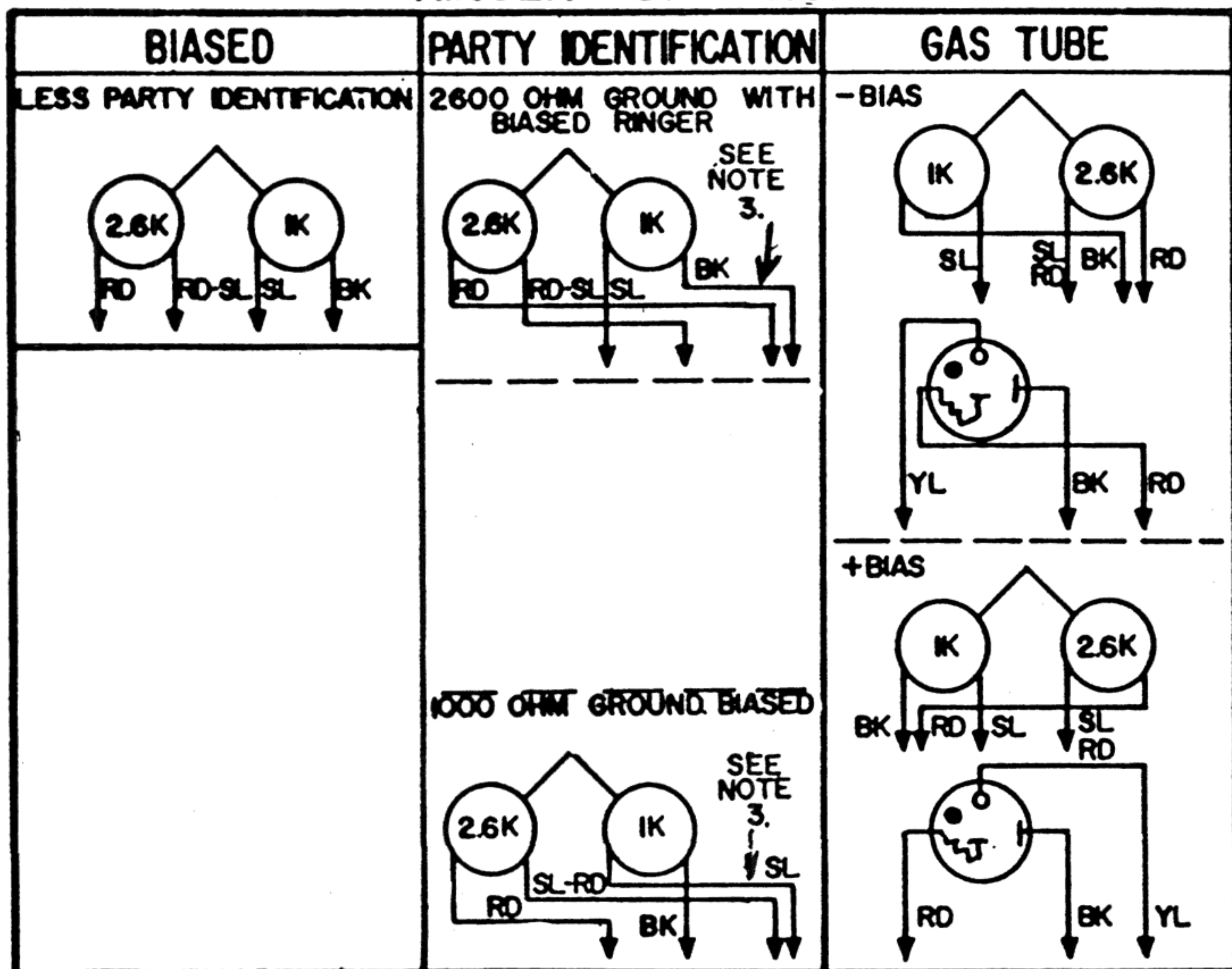
A. REMOVAL OF NETWORK OR HOOKSWITCH

Remove Housing. Disconnect leads to network or hookswitch. Remove screws and nuts that secure network or hookswitch to base.

B. INSTALLATION OF NETWORK OR HOOKSWITCH

Attach unit to base with nuts and screws. Connect leads, (refer to appropriate wiring diagram.) Install Housing.

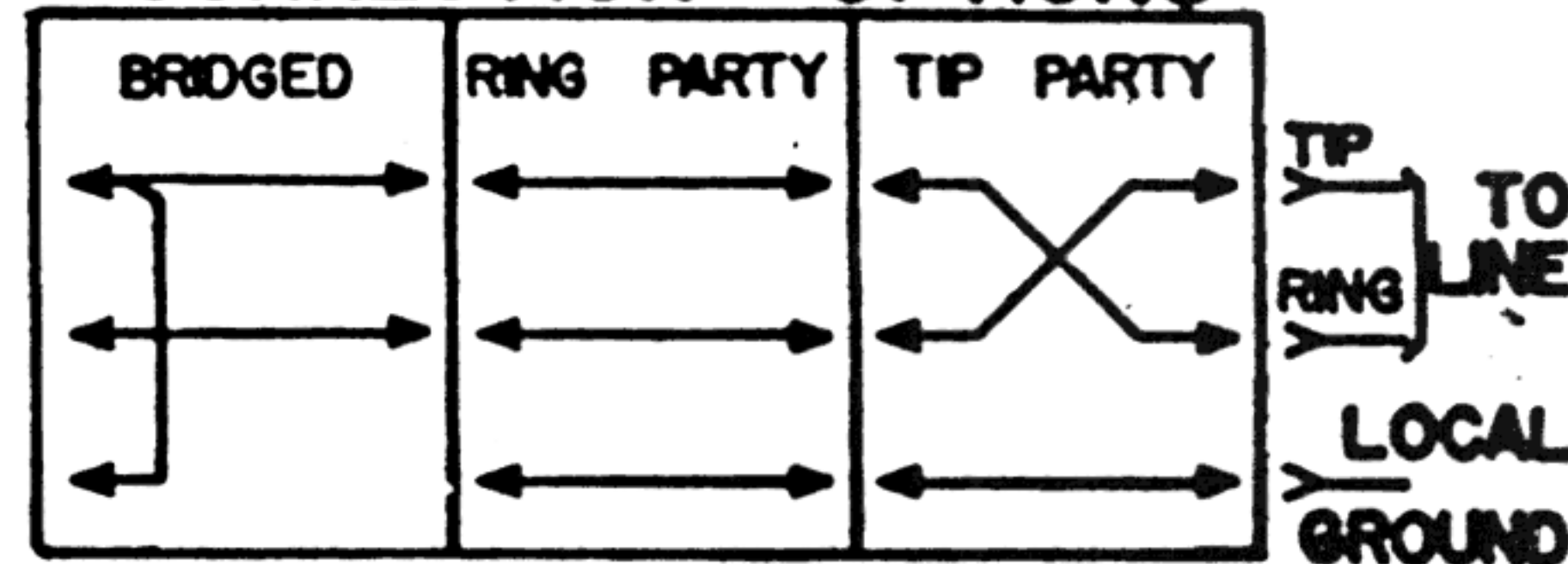
RINGER OPTIONS



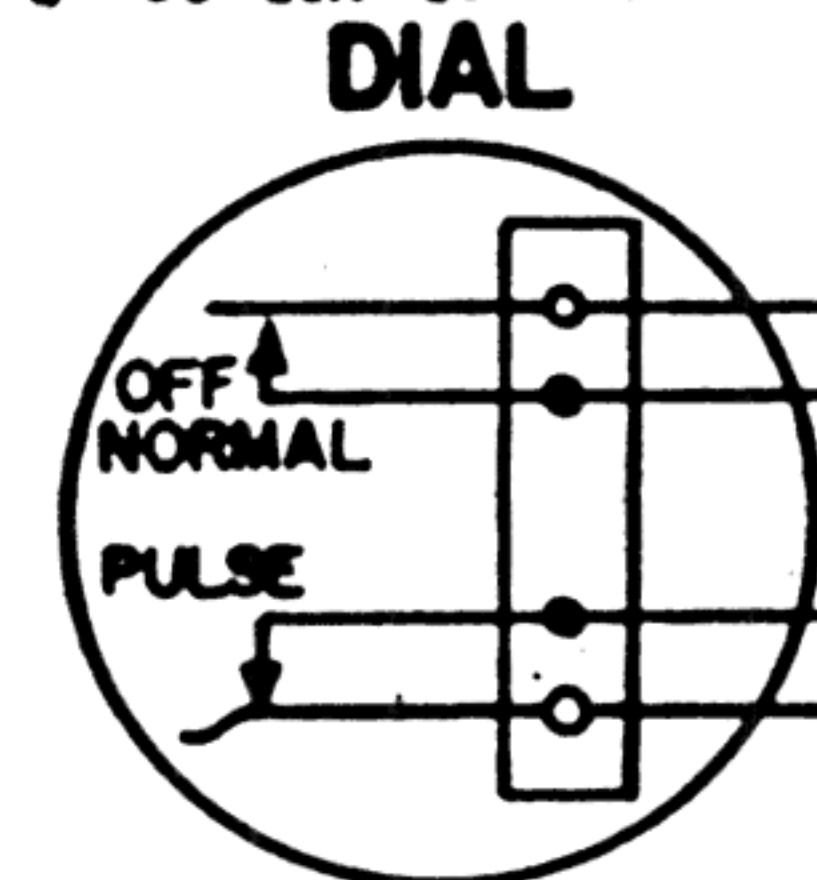
RINGER NOTES

- To Permanently Silence Ringer:
 Class of Ringer Transfer From To
 Biased, except 1) and 2) BK } Ringer G K
 1) 1000 Ω Ground Ident. SL-RD } Lead B K
 2) 2600 Ω Ident. Biased BK } Network B K
 Gas Tube - Tip Party YL Mtg. Cord on Y G
 Ring Party YL Conn. Block Y R
- Biased Ringer Cut-Off Control by Customer:
 Bend stop next to detent on volume control so that it clears rim of ringer frame. This provides extra control position in which ringer armature is locked.
- Party Identification:
 Transfer SL switch lead from L2 to A on network.

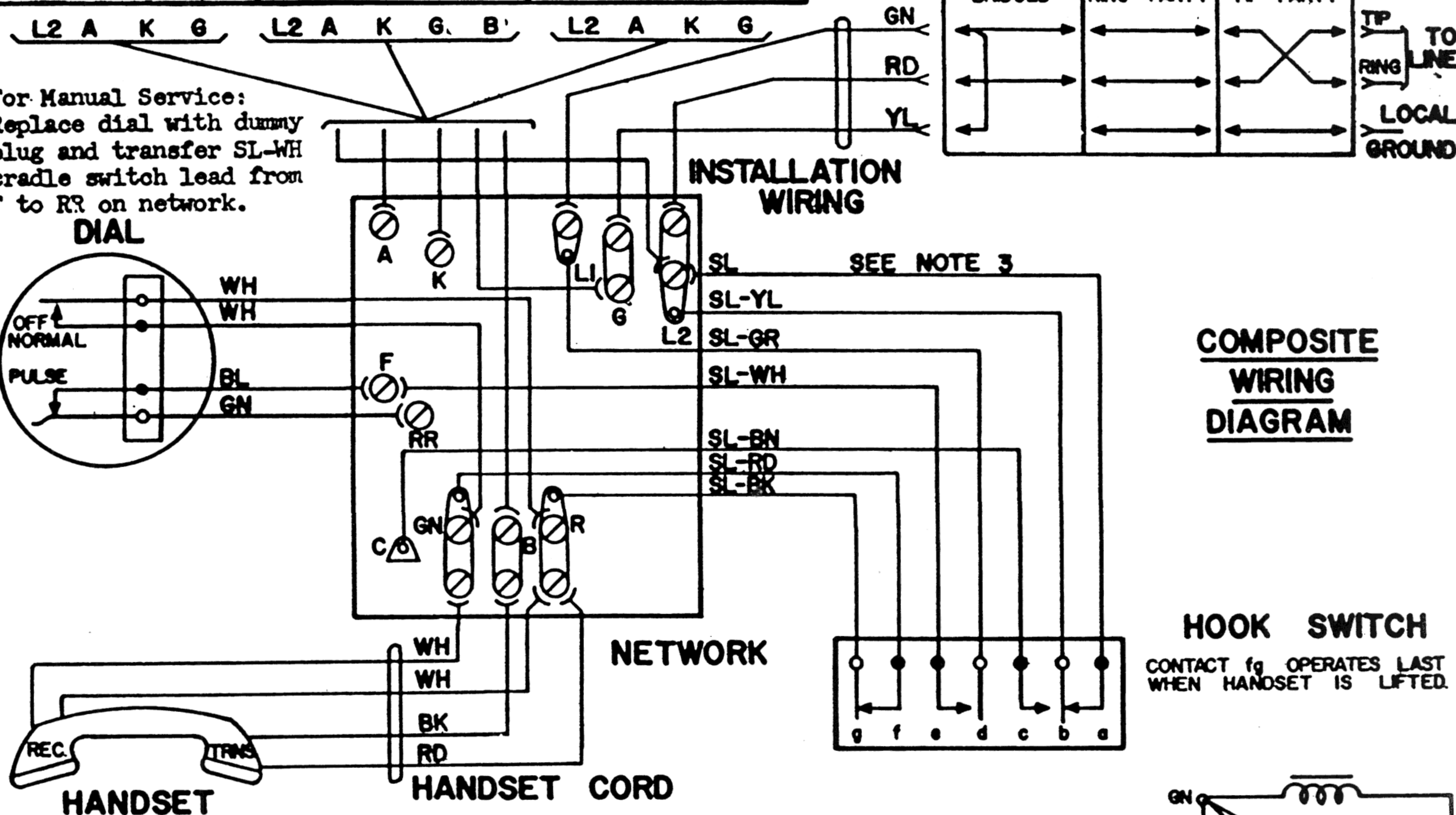
CONNECTION OPTIONS



For Manual Service:
 Replace dial with dummy plug and transfer SL-WH cradle switch lead from F to RR on network.



INSTALLATION WIRING

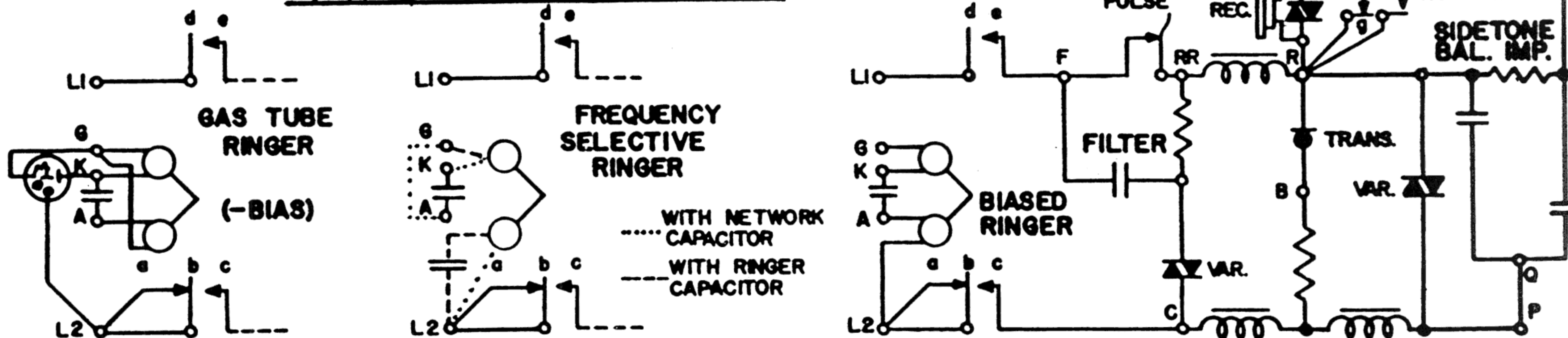


COMPOSITE WIRING DIAGRAM

HOOK SWITCH

CONTACT fg OPERATES LAST WHEN HANDSET IS LIFTED.

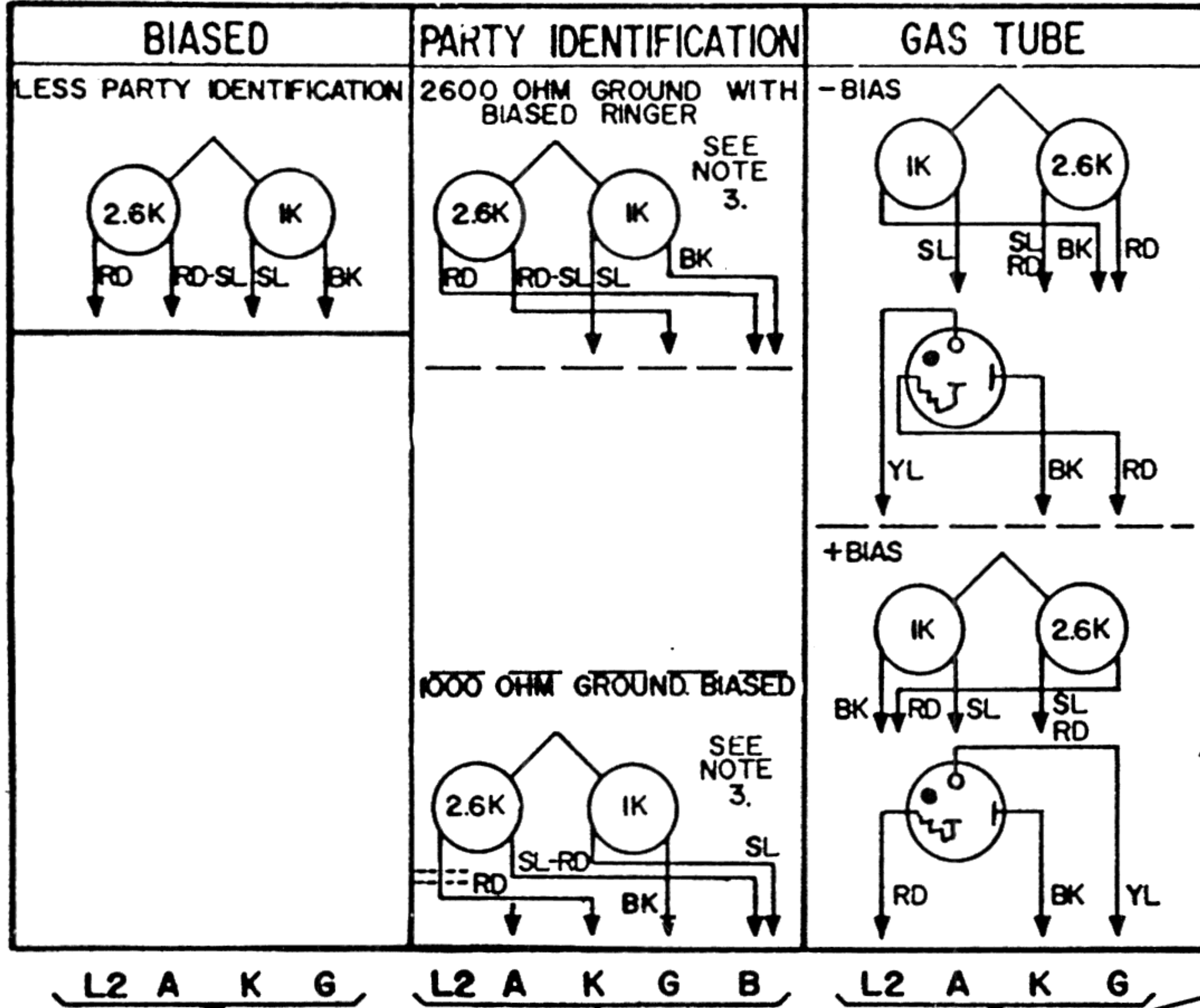
TYPICAL CIRCUIT DIAGRAMS



DIAGRAMS, K-554** () 30

See page 245.05 for instructions on connecting frequency selective ringers.

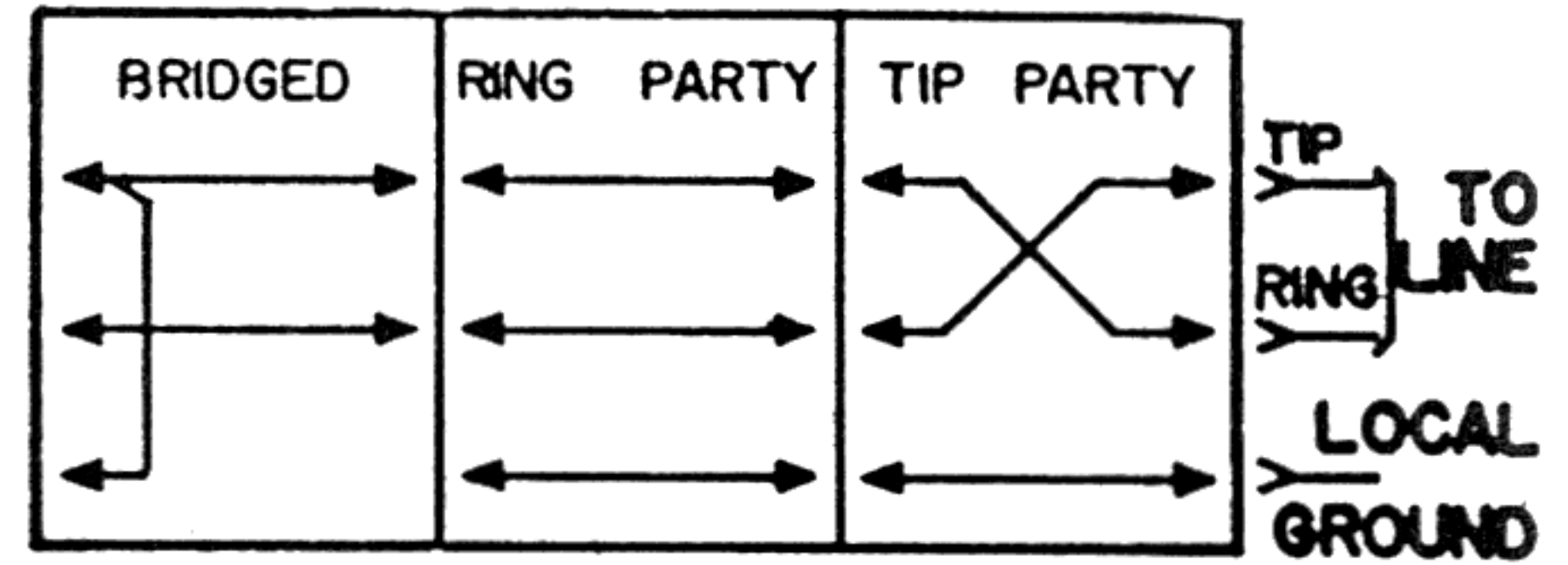
RINGER OPTIONS



RINGER NOTES

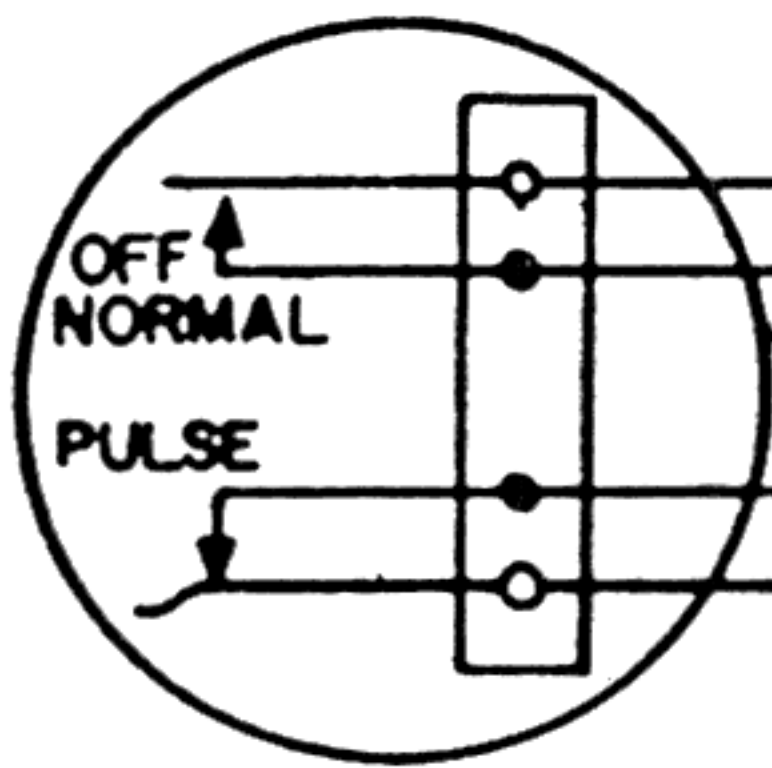
- To Permanently Silence Ringer:
Class of Ringer Transfer From To
Biased, except 1) and 2) RK Ringer G K
1) 1000 Ω Ground Ident. SL-RD Lead B K
2) 2600 Ω Ident. Biased BK on B K
Network
- Gas Tube - Tip Party YL Mtg. Cord on Y G
Ring Party YL Conn. Block Y R
- Biased Ringer Cut-Off Control by Customer:
Bend stop next to detent on volume control so that it clears rim of ringer frame. This provides extra control position in which ringer armature is locked.
- Party Identification:
Transfer SL switch lead from L2 to A on network.

WIRING OPTIONS

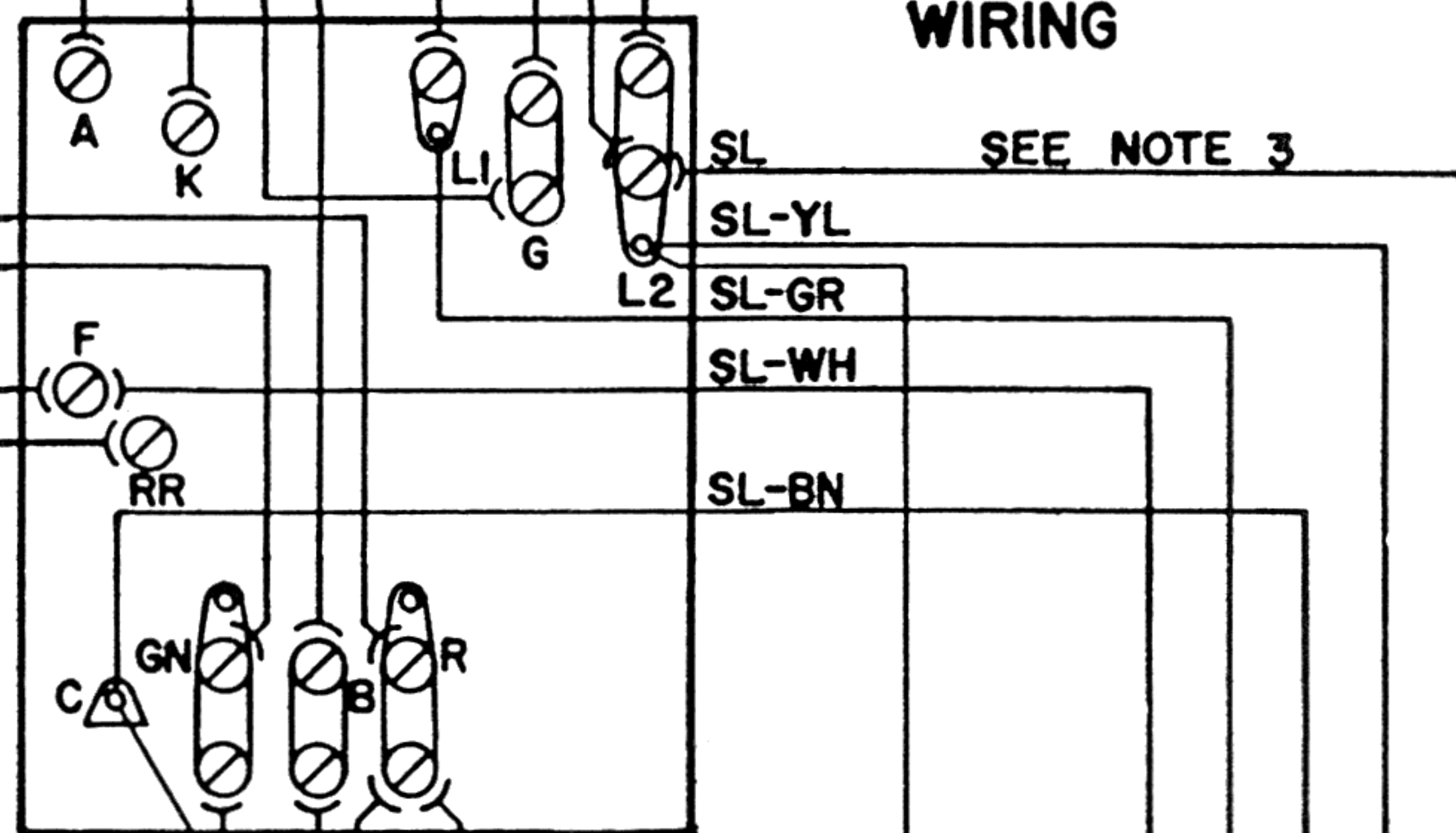


For Manual Service:
Replace dial with dummy plug and transfer SL-WH cradle switch lead from F to RR on network.

DIAL



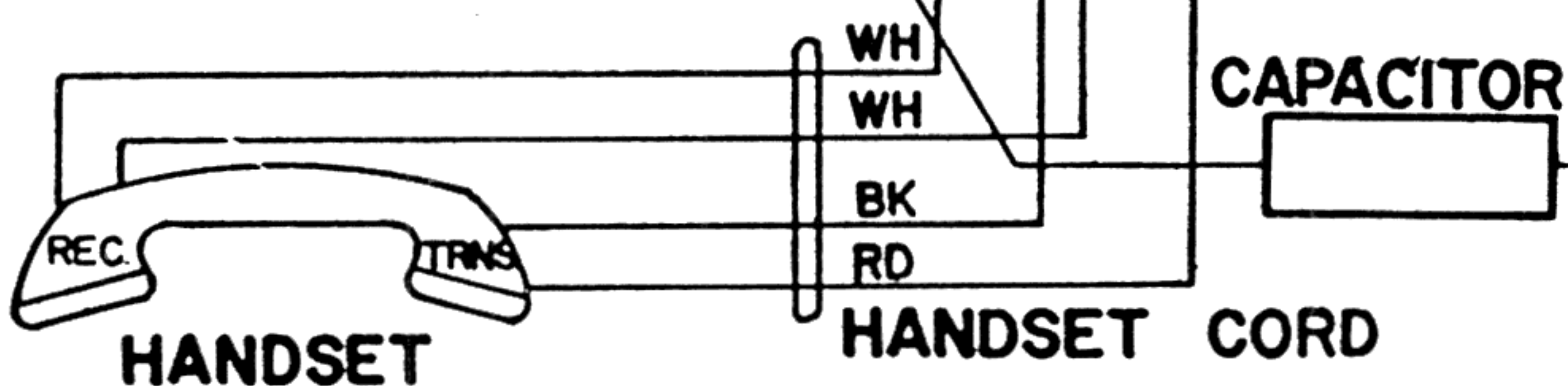
INSTALLATION WIRING



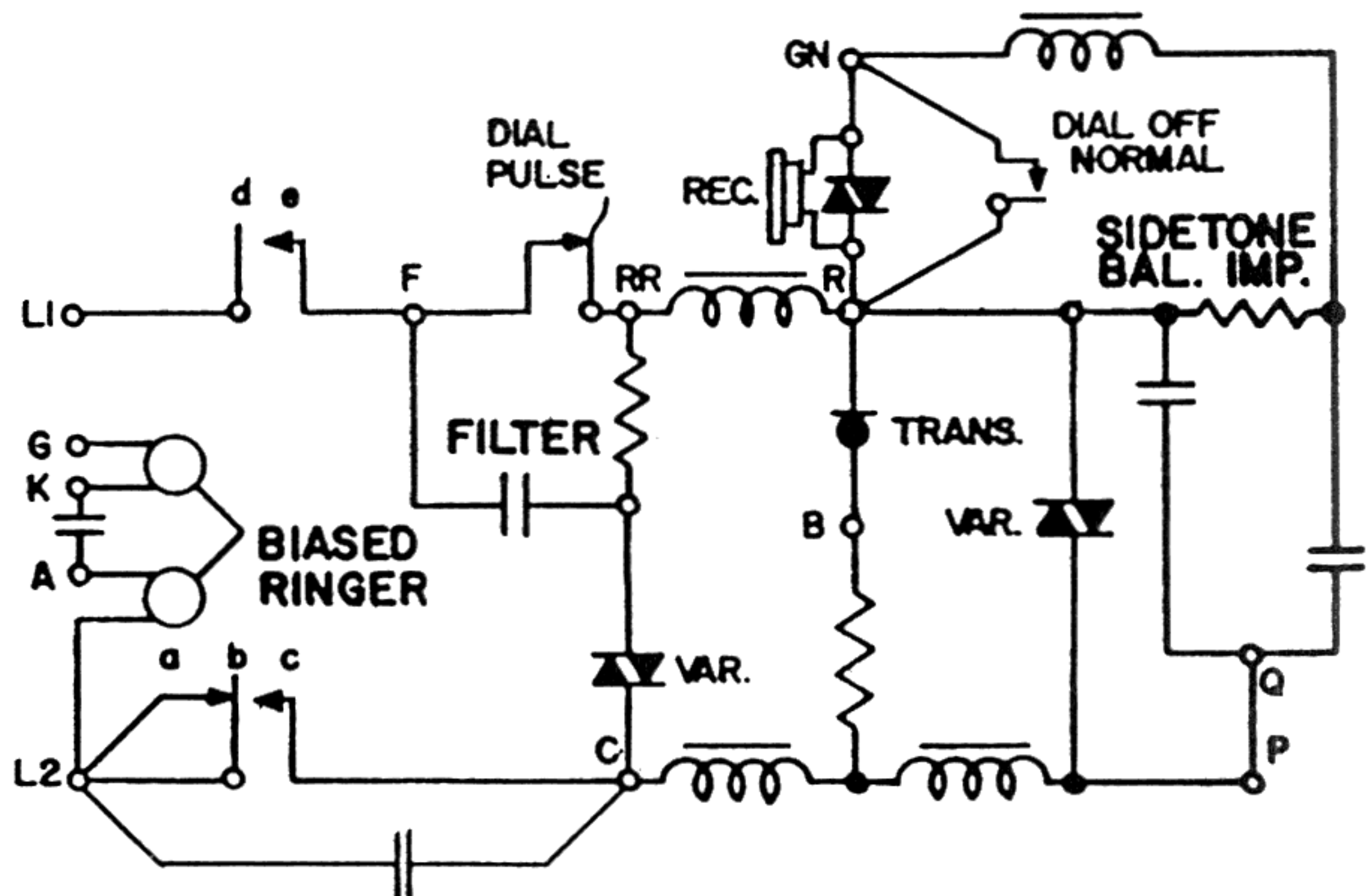
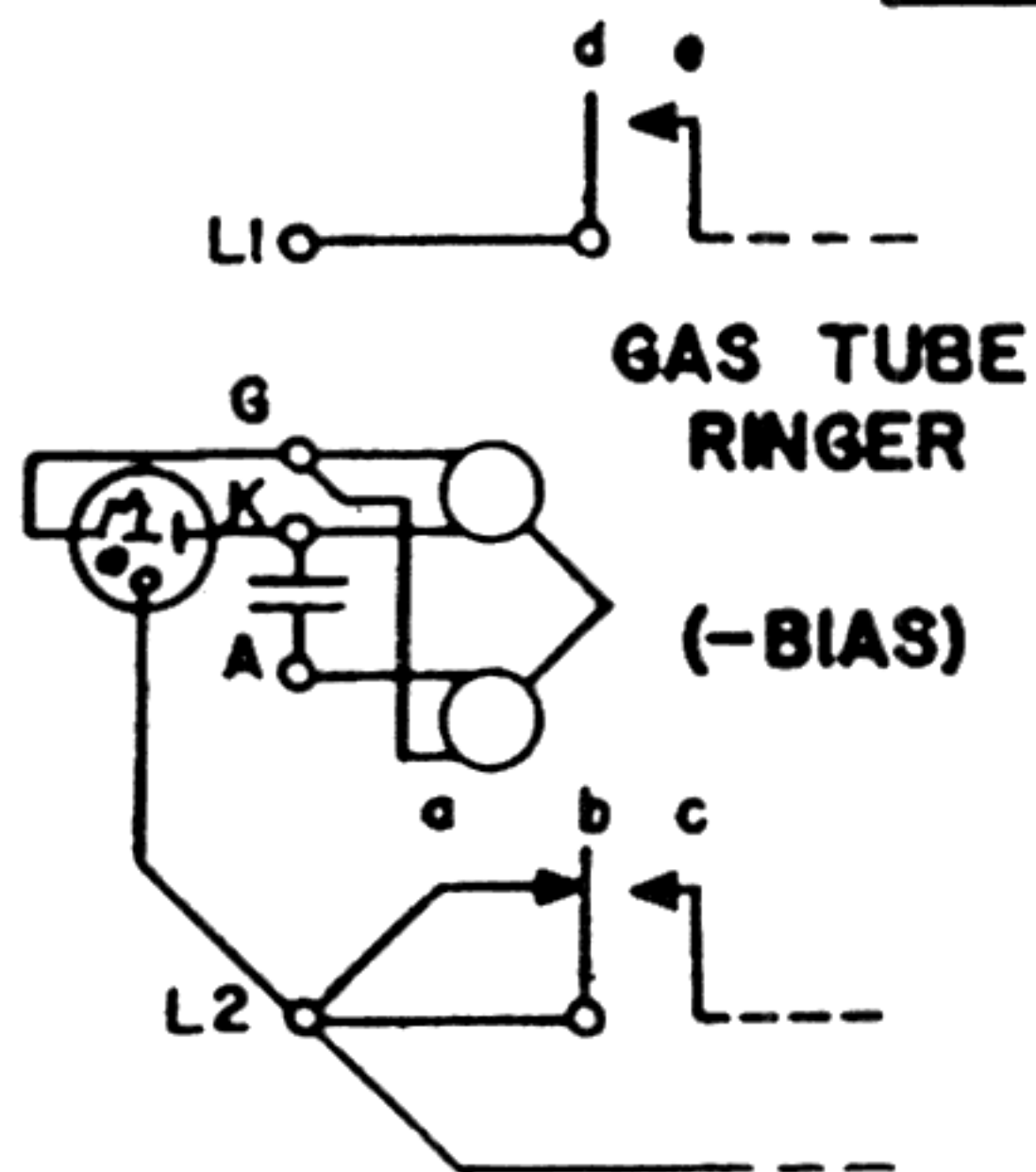
COMPOSITE WIRING DIAGRAM

HOOK SWITCH

HOOK SWITCH MUST BE MOVED TO TALK POSITION BEFORE CONTACTS bc CLOSE.

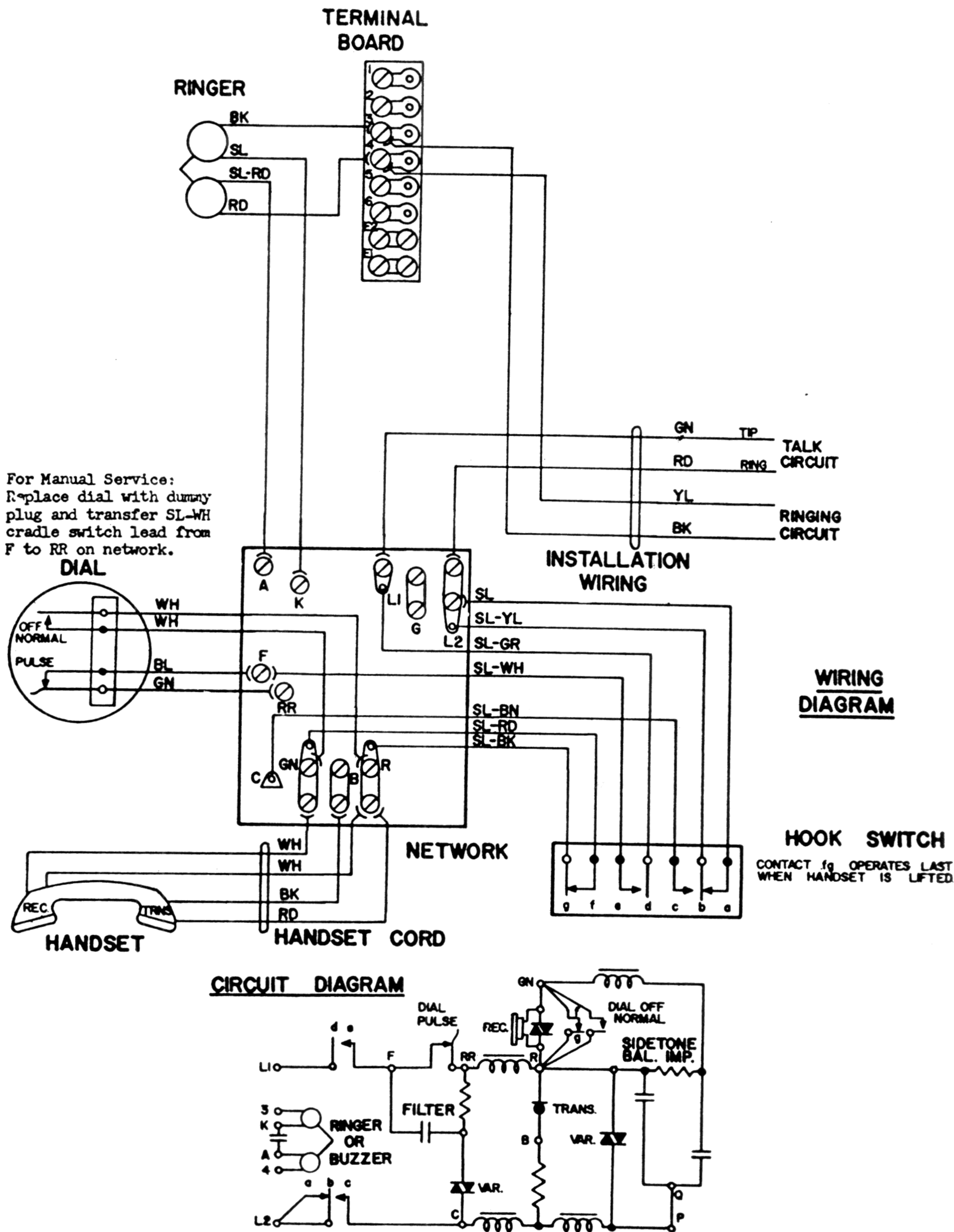


TYPICAL CIRCUIT DIAGRAMS



DIAGRAMS. K-554**()33

See page 245.05 for instructions on connecting frequency selective ringers.

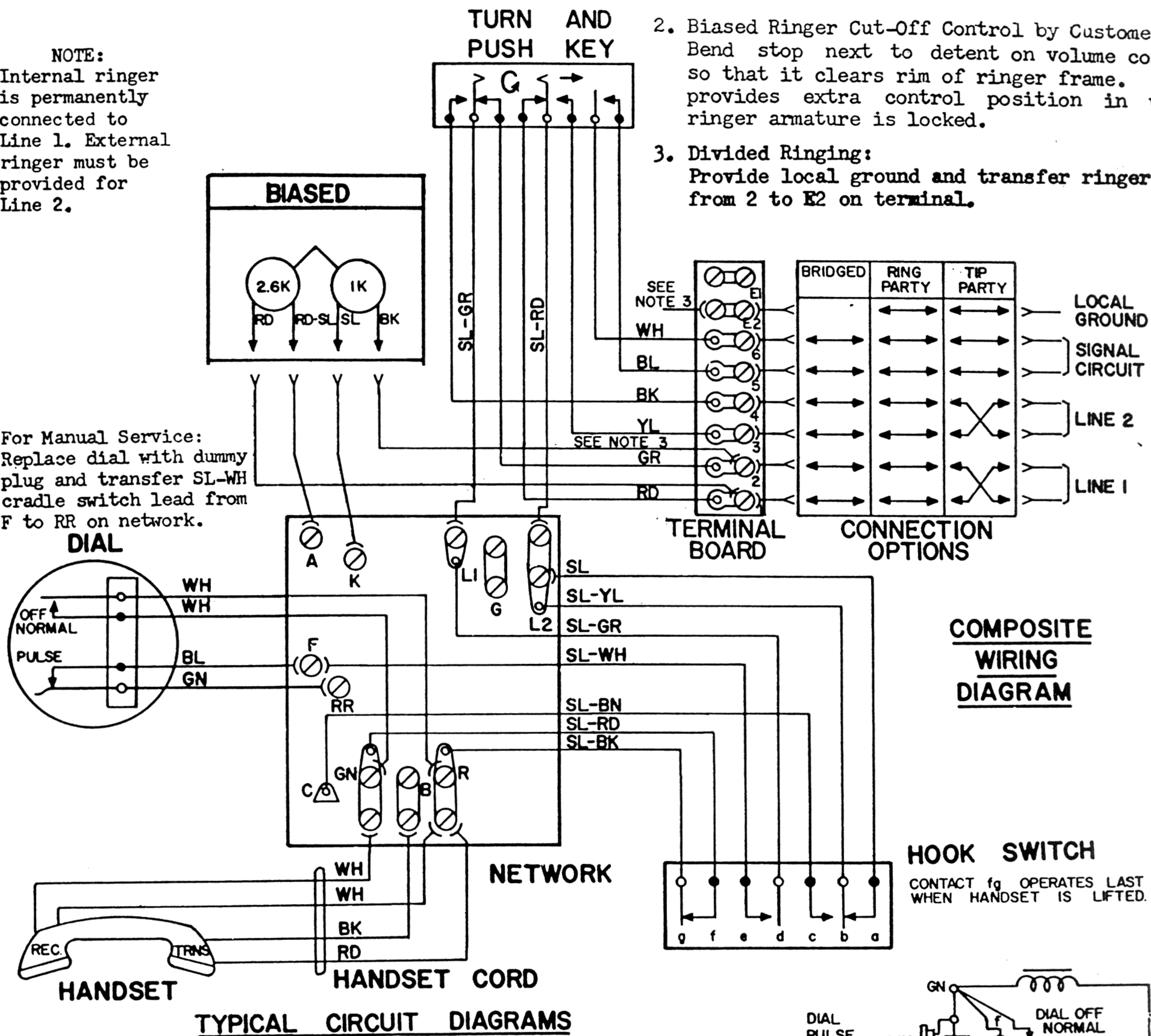


RINGER NOTES

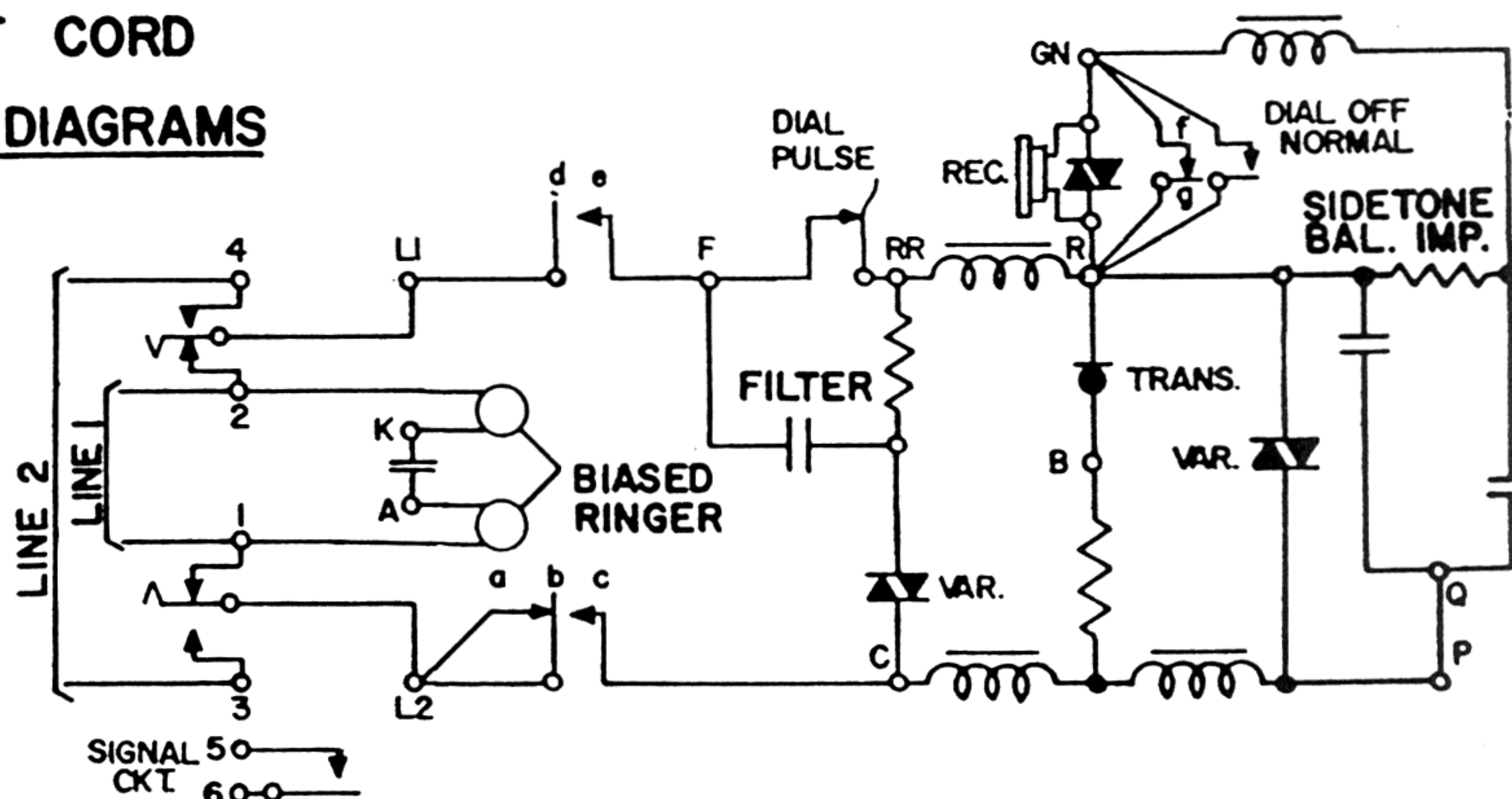
- To Permanently Silence Ringer:
 Class of Ringer: Biased,
 Transfer From To: BK Ringer Lead on Network TB2 K
- Biased Ringer Cut-Off Control by Customer:
 Bend stop next to detent on volume control so that it clears rim of ringer frame. This provides extra control position in which ringer armature is locked.
- Divided Ringing:
 Provide local ground and transfer ringer lead from 2 to E2 on terminal.

NOTE:
 Internal ringer is permanently connected to Line 1. External ringer must be provided for Line 2.

For Manual Service:
 Replace dial with dummy plug and transfer SL-WH cradle switch lead from F to RR on network.



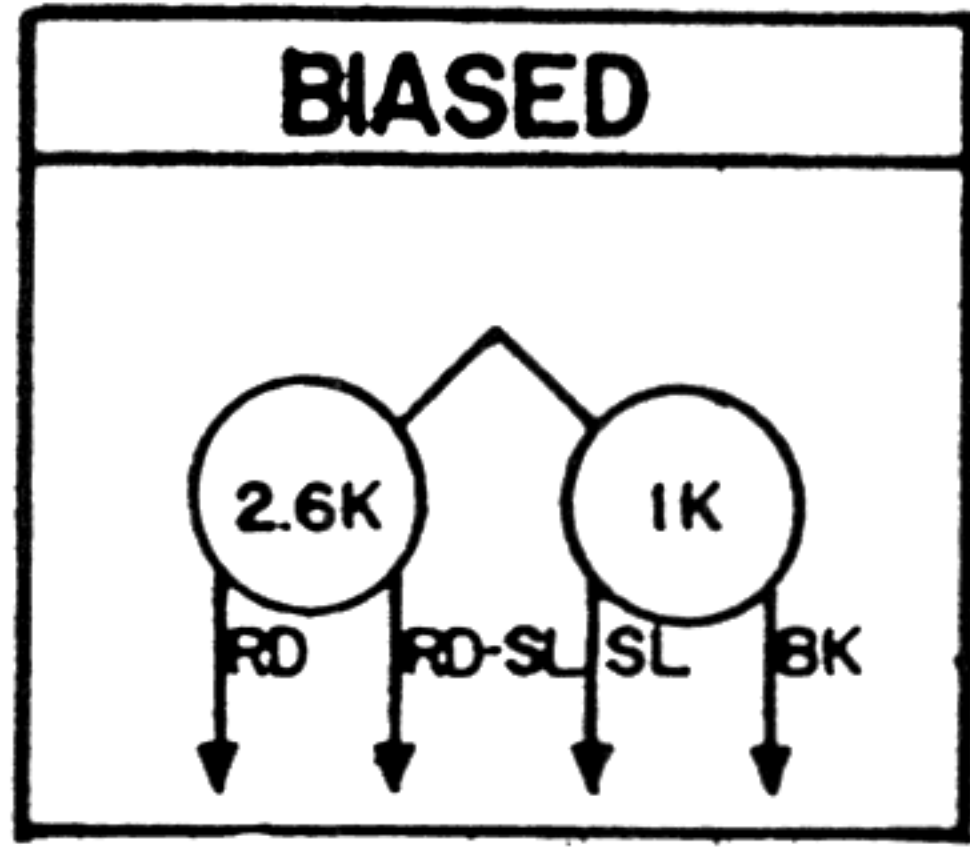
TYPICAL CIRCUIT DIAGRAMS



DIAGRAMS. K-558**()30

See page 245.05 for instructions on connecting frequency selective ringers.

RINGER OPTIONS

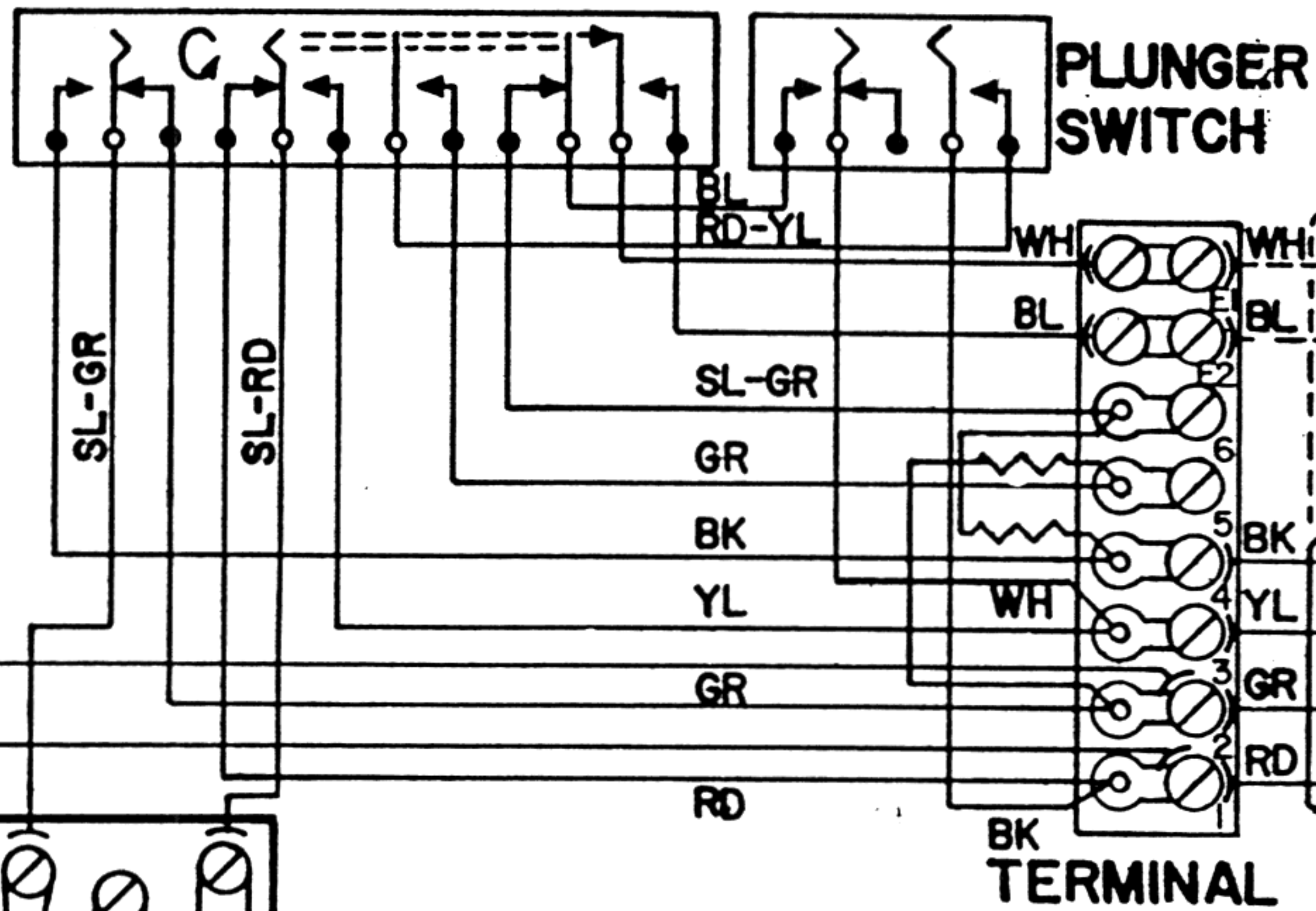


NOTE:
 Internal ringer is permanently connected to Line 1.
 External ringer must be provided for Line 2.

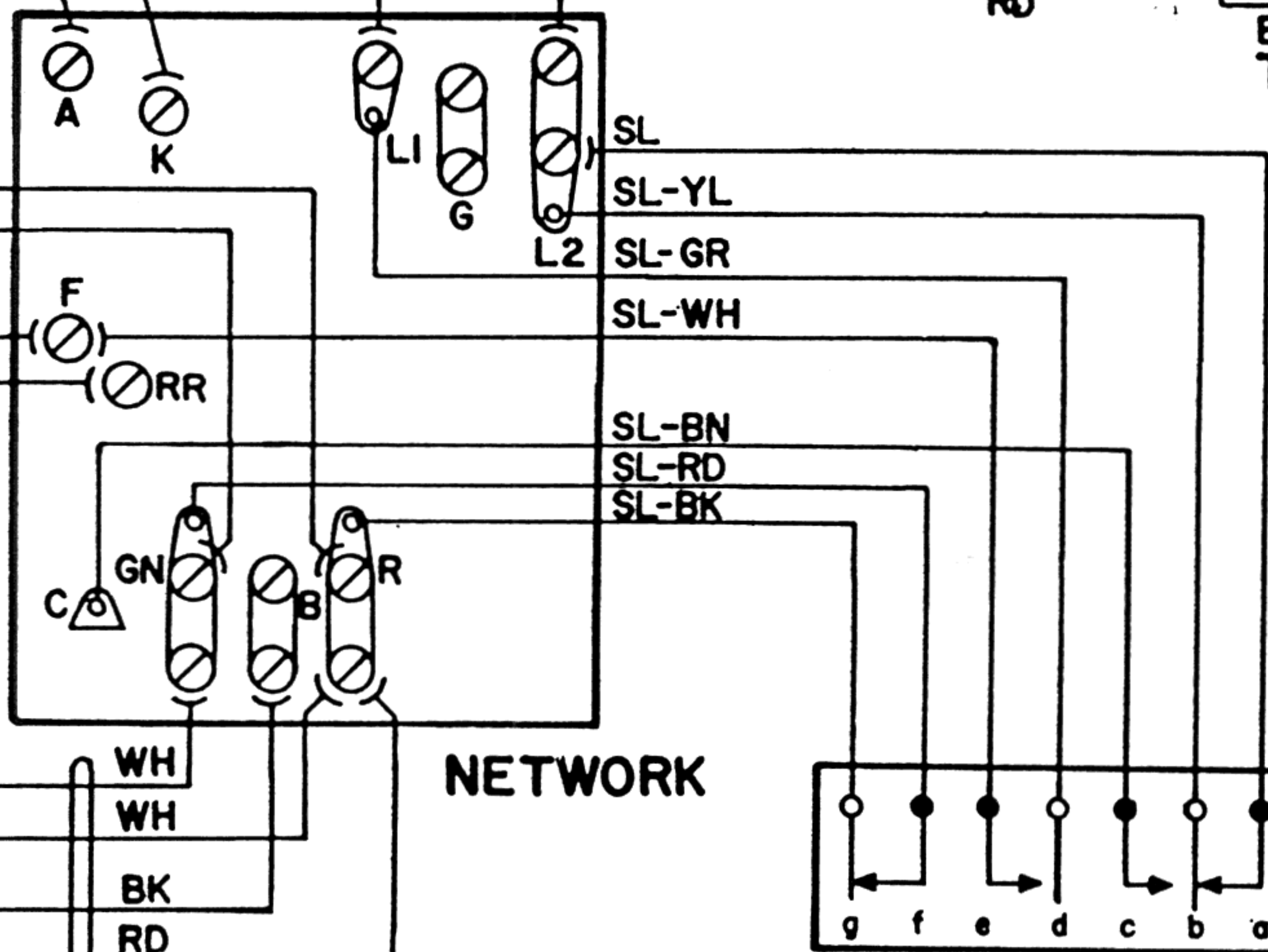
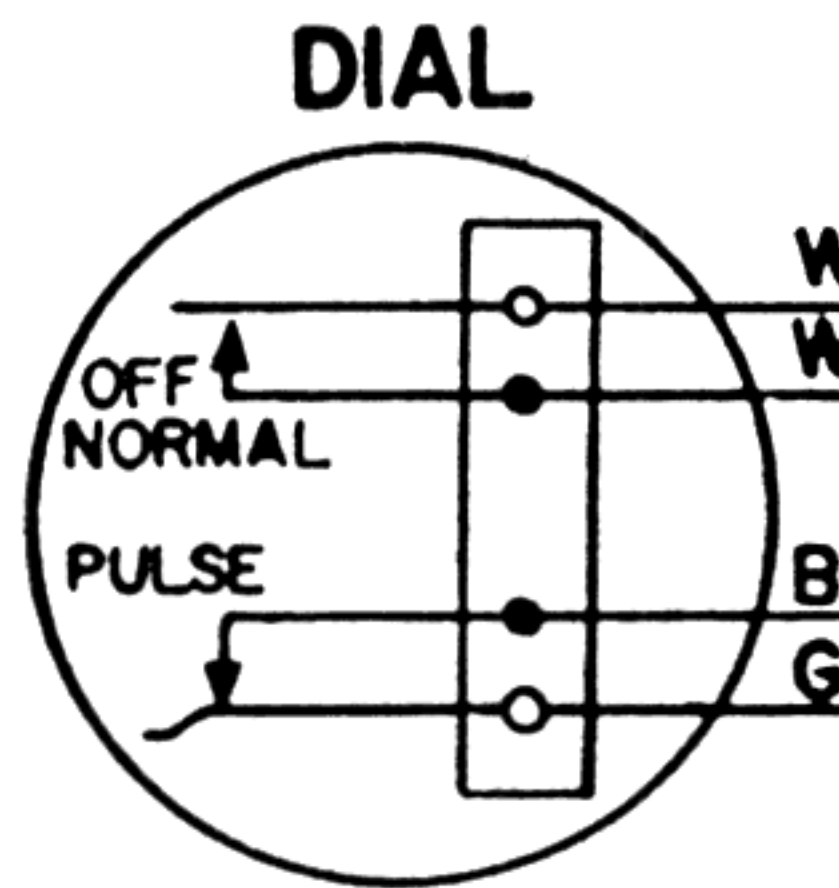
RINGER NOTES

- To Permanently Silence Ringer:
 Class of Ringer
 Biased, Transfer From To
BK } Ringer { G K
} Lead
} on
} Network
- Biased Ringer Cut-Off Control by Customer:
 Bend stop next to detent on volume control so that it clears rim of ringer frame. This provides extra control position in which ringer armature is locked.

TURN AND PUSH KEY



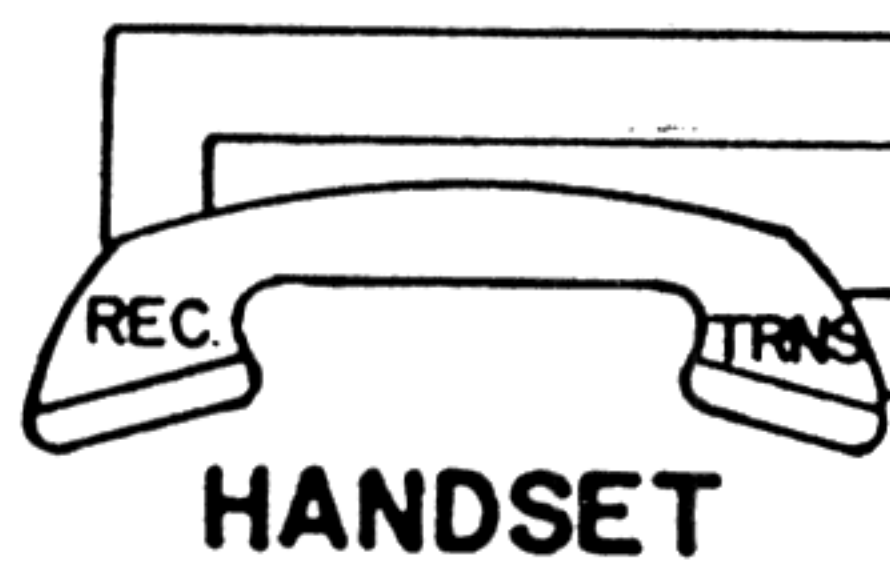
For Manual Service:
 Replace dial with dummy plug and transfer Green lead from F to RR on network.



COMPOSITE WIRING DIAGRAM
 (BRIDGED RINGING ONLY)

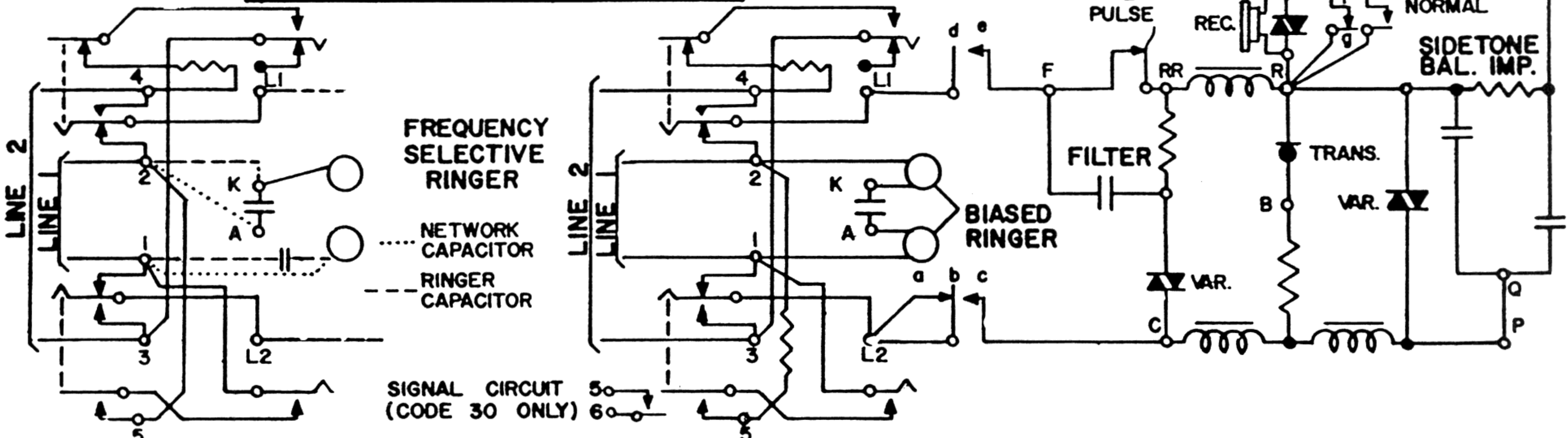
HOOK SWITCH

CONTACT fg OPERATES LAST WHEN HANDSET IS LIFTED.



HANDSET CORD

TYPICAL CIRCUIT DIAGRAMS



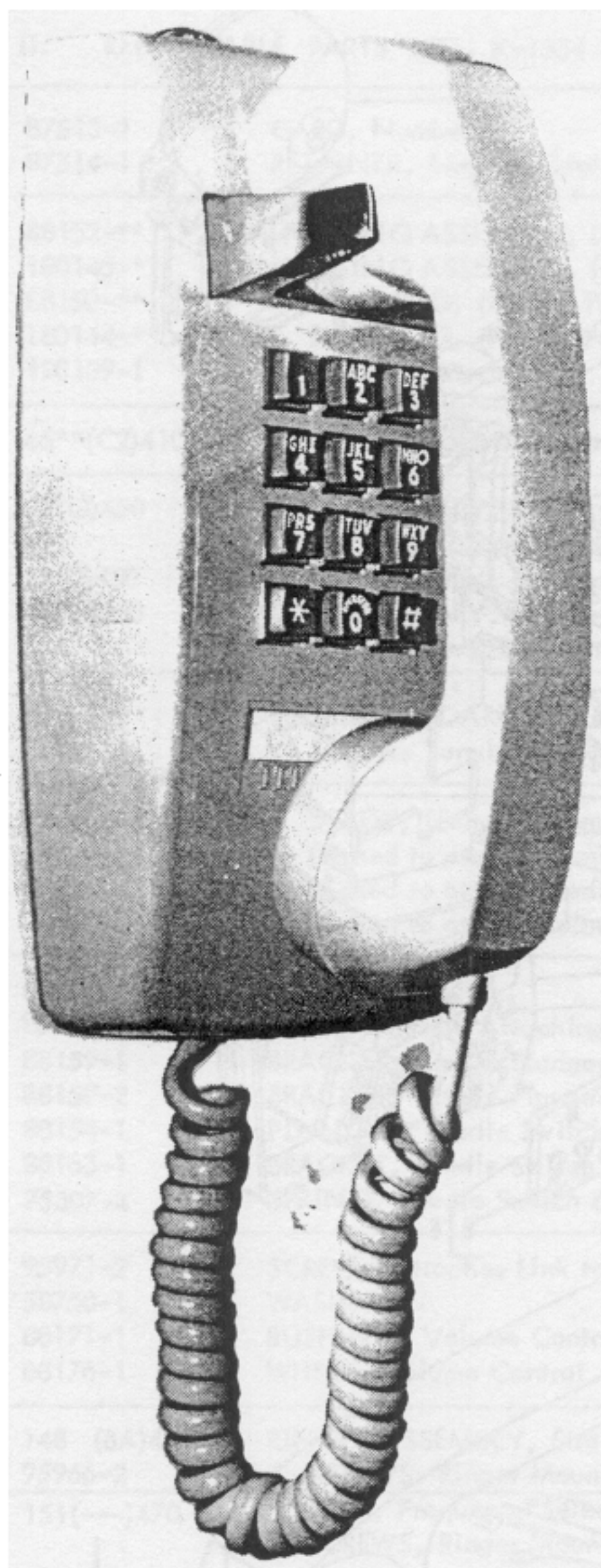


Figure 1. K-2554 "TEL-TOUCH" Wall Telephone

THE K-1554 AND K-2554 "TEL-TOUCH" (PUSH-BUTTON DIAL) WALL TELEPHONE

1. GENERAL INFORMATION

The K-1554 Telephone is a compact, anti-sidetone, wall-mounting telephone with 10-pushbutton dial. The K-2554 is identical to the K-1554 except it is equipped with 12-pushbutton dial. The K-2554 supersedes the K-1554.

All internal parts are mounted to the base. The Handset Cradle, (11, figure 2), is rigidly mounted to the Base Assembly and the Cradle (hook) Switch is actuated by a hinged plunger (15) which protrudes through the Cradle. A standard Handset is used.

Ordering Information is given in Table I.

Replaceable Parts are listed in Table II.

TABLE I. ORDERING INFORMATION

CODE	DESCRIPTION																																						
K-2554** () 30	TELEPHONE, WALL, "TEL-TOUCH" (Supersedes K-1554)																																						
	(Add Dial Code as follows: M - Metropolitan (Letters and Numerals) R - Regular (Numerals only)																																						
	(Insert Ringer Code as follows:) (LR) - Less Ringer (BA) - Straight Line Biased Ringer (--) - Frequency Selective Ringer (See below)																																						
	<table border="1"> <thead> <tr> <th>CODE</th> <th>FREQUENCY</th> </tr> </thead> <tbody> <tr> <td colspan="2" style="text-align: center;">HARMONIC</td> </tr> <tr> <td>(WA1)</td> <td>33-1/3 cps</td> </tr> <tr> <td>(WA2)</td> <td>50 cps</td> </tr> <tr> <td>(WA3)</td> <td>66-2/3 cps</td> </tr> <tr> <td>(WA4)</td> <td>16-2/3 cps</td> </tr> <tr> <td>(WA5)</td> <td>25 cps</td> </tr> <tr> <td colspan="2" style="text-align: center;">SYNCHROMONIC</td> </tr> <tr> <td>(WB1)</td> <td>30 cps</td> </tr> <tr> <td>(WB2)</td> <td>42 cps</td> </tr> <tr> <td>(WB3)</td> <td>54 cps</td> </tr> <tr> <td>(WB4)</td> <td>66 cps</td> </tr> <tr> <td>(WB5)</td> <td>16 cps</td> </tr> <tr> <td colspan="2" style="text-align: center;">DECIMONIC</td> </tr> <tr> <td>(WC1)</td> <td>20 cps</td> </tr> <tr> <td>(WC2)</td> <td>60 cps</td> </tr> <tr> <td>(WC3)</td> <td>30 cps</td> </tr> <tr> <td>(WC4)</td> <td>40 cps</td> </tr> <tr> <td>(WC5)</td> <td>50 cps</td> </tr> </tbody> </table>	CODE	FREQUENCY	HARMONIC		(WA1)	33-1/3 cps	(WA2)	50 cps	(WA3)	66-2/3 cps	(WA4)	16-2/3 cps	(WA5)	25 cps	SYNCHROMONIC		(WB1)	30 cps	(WB2)	42 cps	(WB3)	54 cps	(WB4)	66 cps	(WB5)	16 cps	DECIMONIC		(WC1)	20 cps	(WC2)	60 cps	(WC3)	30 cps	(WC4)	40 cps	(WC5)	50 cps
CODE	FREQUENCY																																						
HARMONIC																																							
(WA1)	33-1/3 cps																																						
(WA2)	50 cps																																						
(WA3)	66-2/3 cps																																						
(WA4)	16-2/3 cps																																						
(WA5)	25 cps																																						
SYNCHROMONIC																																							
(WB1)	30 cps																																						
(WB2)	42 cps																																						
(WB3)	54 cps																																						
(WB4)	66 cps																																						
(WB5)	16 cps																																						
DECIMONIC																																							
(WC1)	20 cps																																						
(WC2)	60 cps																																						
(WC3)	30 cps																																						
(WC4)	40 cps																																						
(WC5)	50 cps																																						
	(Substitute Color Code as follows:)																																						
	<table border="1"> <tbody> <tr> <td>00 - Black</td> <td>11 - Rose Pink</td> </tr> <tr> <td>04 - Yellow</td> <td>12 - Aqua Blue</td> </tr> <tr> <td>05 - Green</td> <td>13 - Light Beige</td> </tr> <tr> <td>09 - Ivory</td> <td>15 - White</td> </tr> <tr> <td></td> <td>16 - Sea Green</td> </tr> </tbody> </table>	00 - Black	11 - Rose Pink	04 - Yellow	12 - Aqua Blue	05 - Green	13 - Light Beige	09 - Ivory	15 - White		16 - Sea Green																												
00 - Black	11 - Rose Pink																																						
04 - Yellow	12 - Aqua Blue																																						
05 - Green	13 - Light Beige																																						
09 - Ivory	15 - White																																						
	16 - Sea Green																																						

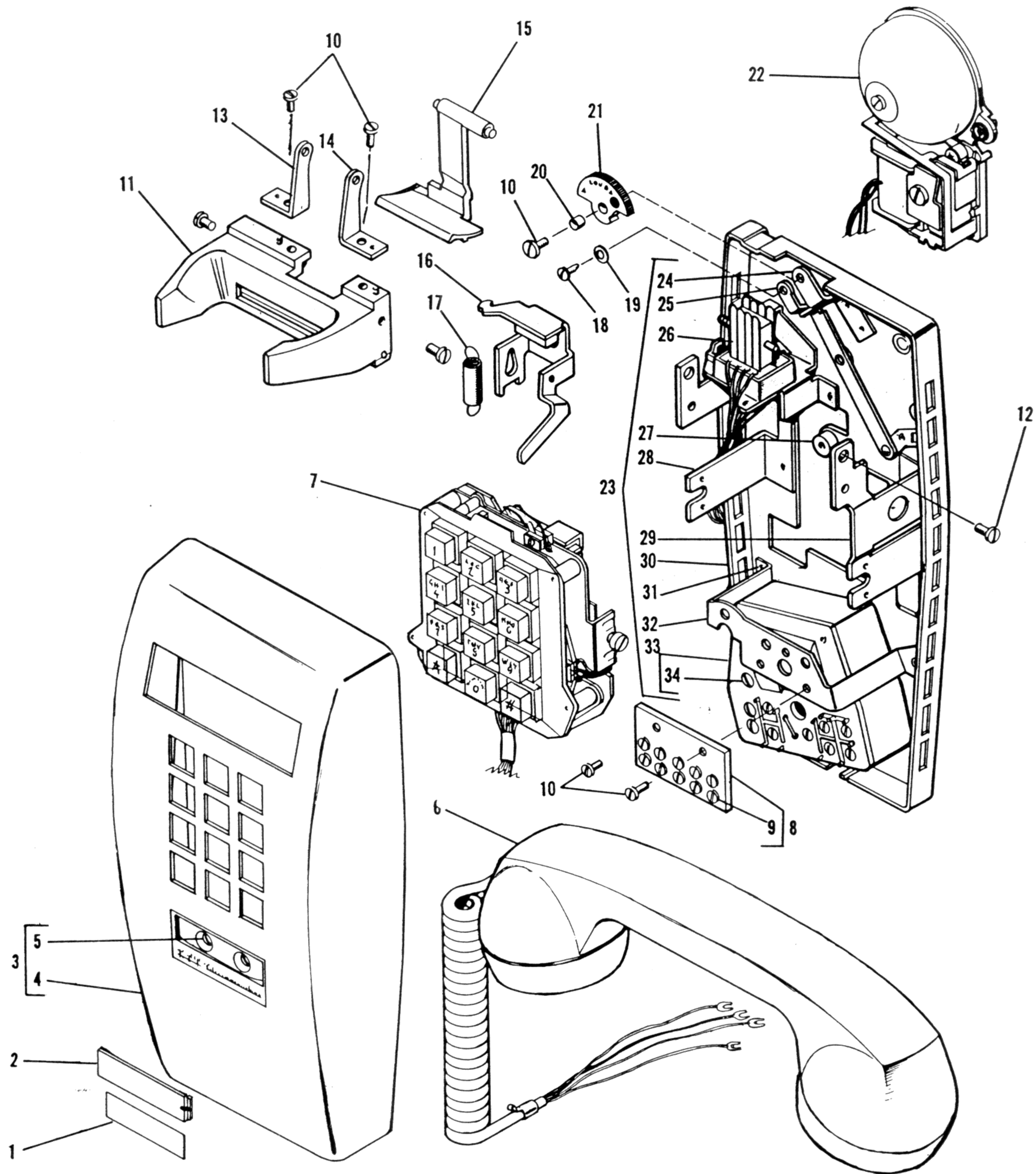
2. INSTALLATION

2.1 MOUNTING TO WALL

- a. Remove Housing. Loosen the two housing screws (5, figure 2) and lift Housing off over the Dial Buttons and the Handset Cradle.
- b. MOUNT BASE ASSEMBLY TO WALL.

NOTE: The Base Assembly has two mounting holes (in shape of keyholes). One hole is at the upper left-hand corner; the other near the lower right-hand corner - just to the right of the Network. Temporarily position the Base on the wall and center mark the small end of the "keyholes". Drill guide holes and install mounting screws. Install telephone on the mounting screws.

Figure 2. K-1554 and K-2554 "TEL-TOUCH" Wall Telephone, Exploded View



2.2 CONNECTIONS

a. BRIDGED OR INDIVIDUAL RINGING

Connect the Inside Wire leads as follows:
Green - #1 terminal on terminal board
Red - #2 terminal on terminal board
Yellow - #3 terminal on terminal board

b. RING PARTY. Connect the inside wire leads as instructed in (a) above and move black lead of Ringer from #1 to #3 terminal of terminal board.

c. TIP PARTY (NO IDENTIFYING GROUND)

- (1) Move white lead of Hookswitch from "G" to "C" on Network.
- (2) Move brown lead of Hookswitch from "C" to "G" on Network.
- (3) Move black lead of Ringer from #1 to #3 terminal on terminal board.
- (4) Connect inside wire leads as follows:
GREEN - #2 terminal on terminal board
RED - #1 terminal on terminal board
YELLOW - #3 terminal on terminal board.

d. TIP PARTY, (1000 - OHM IDENTIFYING GROUND)
Same as "C" above, and move slate lead of Ringer from "L2" to "B" terminal of Network.

e. TIP PARTY, (2650 - OHM IDENTIFYING GROUND)
Same as "C" above, except remove slate lead of Ringer from "L2" of Network and connect Slate-Red lead of Ringer to "B" of Network. Insulate and store the Slate lead of Ringer.

FIGURE NO.	INDEX NO.	PART NUMBER	NAME, Description part under which they are indented)	(Indented items are included in the						
				QUANTITY USED ON:						
TABLE II. REPLACEABLE PARTS LIST, K-1554 and K-2554 "TEL-TOUCH" Telephones				1554	2554					
				/30	/30					
2	1	87513-1	CARD, Number	1	1					
	2	87514-1	RETAINER, Number Card	1	1					
	3	88152-**	HOUSING ASSEMBLY, (For 10-Pushbutton Dial)	1	-					
	3	180145-**	HOUSING ASSEMBLY, (For 12-Pushbutton Dial)	-	1					
	4	88150-**	HOUSING, (For 10-Pushbutton Dial)	1	-					
	4	180144-**	HOUSING, (For 12-Pushbutton Dial)	-	1					
	5	190139-1	SCREW, Housing	2	2					
	6	65**(C2)410	HANDSET ASSEMBLY (See Section 212 for Parts Breakdown)	1	1					
	7	27(G)450	DIAL ASSEMBLY, (10-Pushbutton) (Order 32(G)450 and 180144-** Housing	1	-					
	7	32(D)450	DIAL ASSEMBLY, (12-Pushbutton), Regular	-	1					
	7	32(G)450	DIAL ASSEMBLY, (12-Pushbutton), Metropolitan See Section 220 for Parts Breakdown	-	1					
	8	88205-1	TERMINAL BOARD ASSEMBLY	1	1					
	9	79485-2	SCREW, Terminal, (Same as item 10)	10	10					
	10	79485-2	SCREW, (Same as Item 9) (2 used to attach Terminal Board). (2 used to attach Cradle Plunger Brackets) (1 used to attach Volume Control Wheel)	5	5					
	11	88172-1	CRADLE, Handset	1	1					
	12	95973-2	SCREW, Cradle Attaching	2	2					
	13	88159-1	BRACKET, Cradle Plunger, (L.H.)	1	1					
	14	88159-2	BRACKET, Cradle Plunger, (R.H.)	1	1					
	15	88154-1	PLUNGER, Cradle Switch	1	1					
	16	88163-1	BRACKET, Cradle Switch	1	1					
	17	75307-4	SPRING, Cradle Switch Bracket	1	1					
	18	95971-2	SCREW, (Attaches Link to Volume Control Wheel)	1	1					
	19	58750-1	WASHER	1	1					
	20	88171-1	BUSHING, Volume Control Wheel	1	1					
	21	88176-1	WHEEL, Volume Control	1	1					
	22	148 (BA)470	RINGER ASSEMBLY, Straight Line Biased	1	1					
		95966-2	SCREWS, Ringer Mounting	2	2					
	22	151(---)470	RINGER, Frequency Selective	1	1					
			SCREWS, Ringer Mounting	2	2					
					HARMONIC		SYNCHROMONIC		DECIMONIC	
					(HA1)	33-1/3 cps	(HB1)	30 cps	(HC1)	20 cps
					(HA2)	50 cps	(HB2)	42 cps	(HC2)	60 cps
					(HA3)	66-2/3 cps	(HB3)	54 cps	(HC3)	30 cps
					(HA4)	16-2/3 cps	(HB4)	66 cps	(HC4)	40 cps
				(HA5)	25 cps	(HB5)	16 cps	(HC5)	50 cps	
23	88153	BASE ASSEMBLY	1	1						
24	88168-1	BRACKET, Volume Control	1	1						
25	88169-1	LINK ASSEMBLY, Volume Control	1	1						
26	88175-1	SPRING ASSEMBLY, Cradle Switch (Includes one 88162-1 Bracket and two 190137-8 Rivets)	1	1						
27	95965-1	FASTENER (For Ringer Screws)	1	1						
28	88157-1	BRACKET, Dial (L.H.)	1	1						
29	88158-1	BRACKET, Dial (R.H.)	1	1						
30	NSS	BASE (88151-1), (Not Serviced Separately)	-	-						
31	190137-10	RIVET	8	8						
32	88156-1	BRACKET, Terminal Board	1	1						
33	88180-1	NETWORK ASSEMBLY	1	1						
34	79485-2	SCREW, Terminal	13	13						
	180697-102	Polarity Guard Kit								

2.3 TO PERMANENTLY SILENCE RINGER.

a. For all classes of service except tip party with identifying ground. Change black lead of Ringer from #1 (or #3) terminal of terminal board to "K" terminal of Network.

b. For tip party with 1000-ohm identifying ground. Connect Ringer leads as follows:

- RED - Insulate and Store.
- BLACK - Connect to #3 terminal of terminal board
- SLATE - Connect to "B" terminal of Network.
- SLATE-RED - Insulate and Store

c. For tip party with 2650-ohm identifying ground. Connect Ringer leads as follows:

- RED - Insulate and Store
- BLACK - Connect to #3 terminal of terminal board.
- SLATE - Insulate and Store
- SLATE-RED - Connect to "B" terminal of Network.

2.4 RINGER CUT-OFF CONTROL BY CUSTOMER

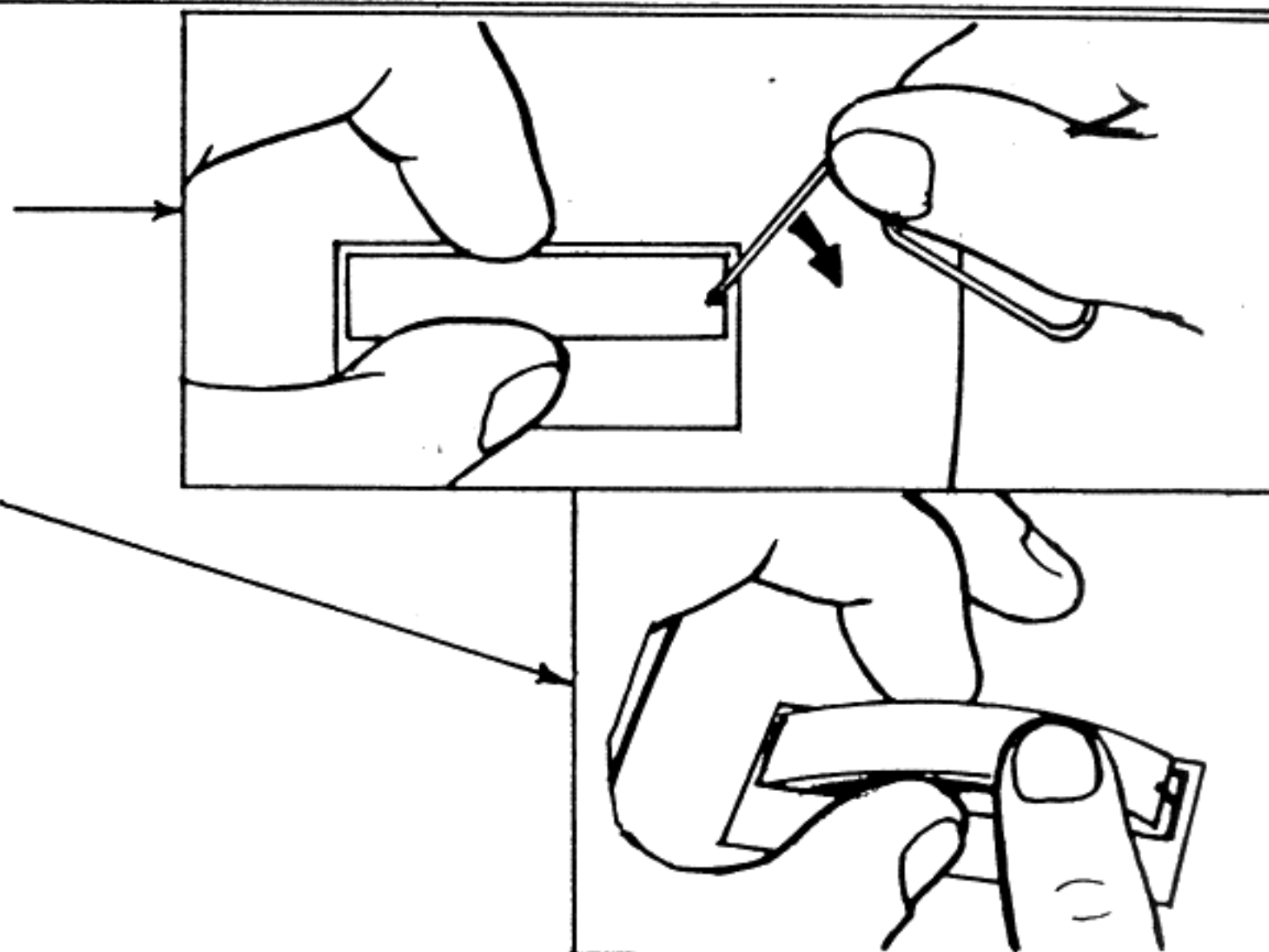
Refer to figure 2 . Use long nose pliers and bend volume control bracket (item 24) down so it will allow volume control link (item 25) to move Ringer tone lever to maximum cut-off position.

3. NUMBER CARD GROUP. (See figure 2)

a. REMOVAL OF NUMBER CARD GROUP. Use a partially straightened paper clip or similar device. Insert the straightened end into the rounded slot at the right end of the Number Card Retainer (item 2) and pry the Retainer out of the Housing - holding two fingers over the Retainer to prevent its springing away.

b. INSTALLATION OF NUMBER CARD GROUP.

- (1) Place the number card (item 1) in the Retainer (item 2) and crease the ends of the card in place with the thumbnail.
- (2) Grasp the Retainer by its edges, near center, and insert one end in its recess in the Housing. Bend the opposite end down into place and release the center hold.



4. DISASSEMBLY AND REASSEMBLY. (Refer to Figure 2)

4.1 HOUSING GROUP

- a. REMOVAL OF HOUSING GROUP
- (1) Remove the Number Card Retainer (1) as directed in 3.a.
 - (2) Loosen the two screws (5) and lift off Housing Assembly (3).
- b. INSTALLATION OF HOUSING GROUP
- (1) Hold Housing Assembly in place and tighten the two screws (5).
 - (2) Install Number Card group as directed in 3.b. above.

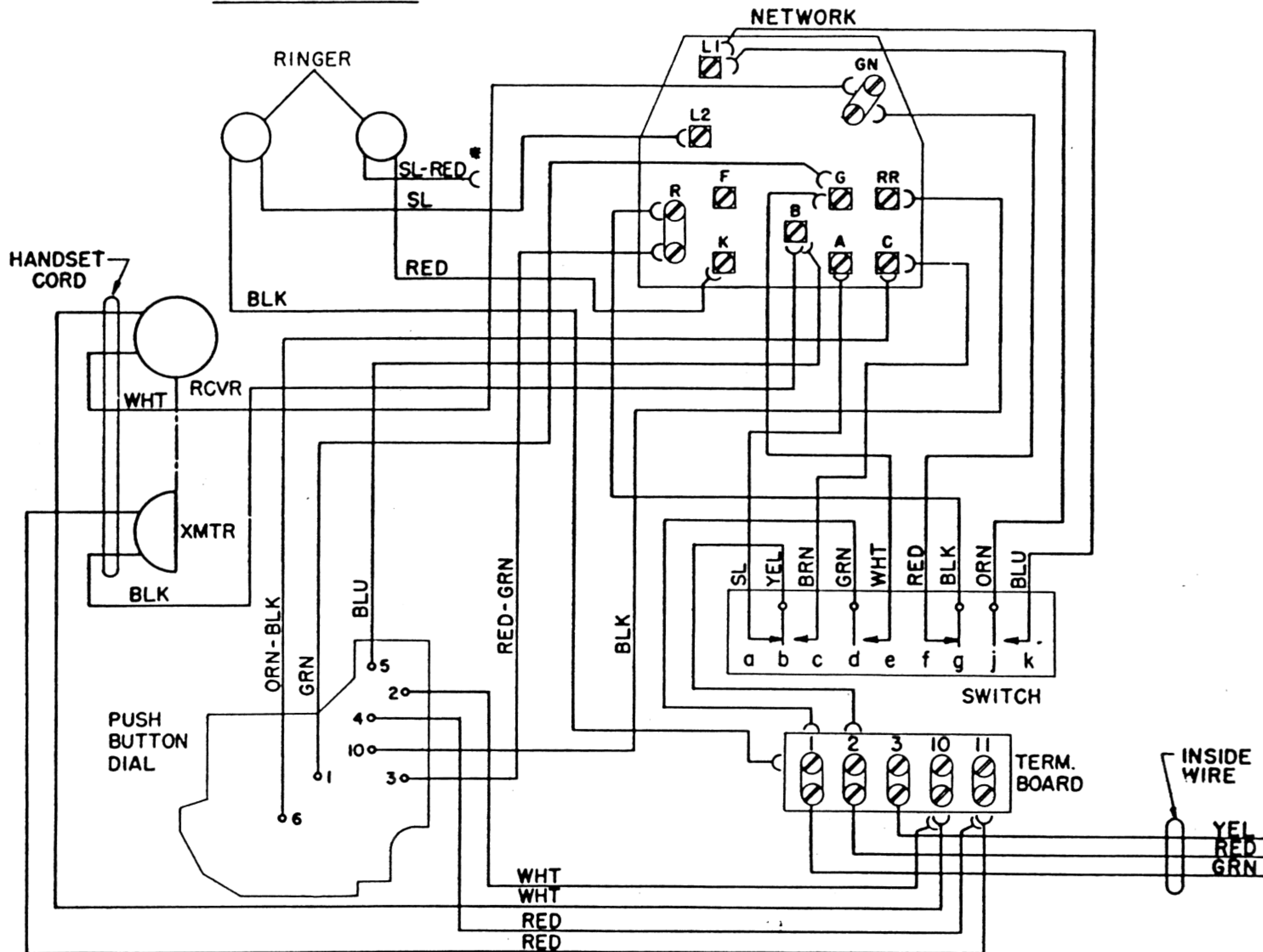
4.2 DIAL

- a. REMOVAL OF DIAL. Disconnect dial leads from Network and from terminal board. Loosen dial mounting screws and remove dial.
- b. INSTALLATION OF DIAL. Refer to appropriate circuit label and connect dial leads. Seat dial on the mounting brackets and tighten mounting screws.

4.3 CRADLE GROUP (Items 11 thru 17)

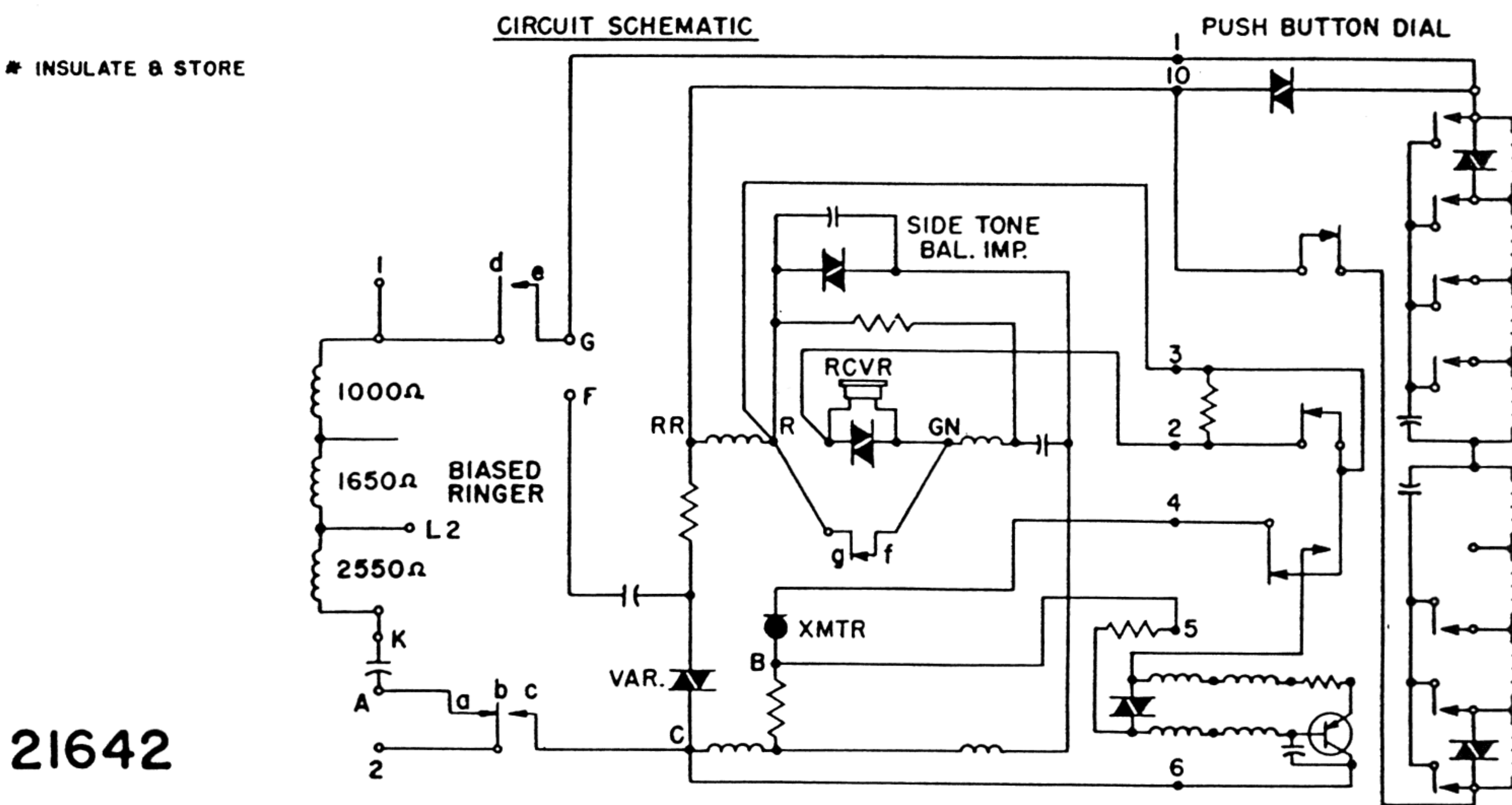
- a. DISASSEMBLY OF CRADLE GROUP
- (1) Remove the two screws (12) that secure the cradle (11) to its brackets. Remove the cradle assembly consisting of items (11) thru (15).
 - (2) Use round-nose pliers and remove Spring (17).
 - (3) Work the outer end of the cradle switch bracket (16) upward then move the bracket inward until it clears the stud of the spring assembly (26).
 - (4) To remove plunger (15), remove one of the plunger brackets (13 or 14) by removing its attaching screw (10).
- b. ASSEMBLY OF CRADLE GROUP
- Assemble the cradle group in reverse order of disassembly

WIRING DIAGRAM



CIRCUIT SCHEMATIC

* INSULATE & STORE



21642

TABLE A
 LINE & RINGER CONNECTIONS

WIRE OR LEAD	RING	INDIV. OR BRDG.	RING PARTY	TIP PARTY		
				NO IDENT. GRD.	1000 OHMS	2650 OHMS
INSIDE WIRE	R	2	2	1	1	1
	G	1	1	2	2	2
	Y	3	3	3	3	3
RINGER LEADS	K	K	K	K	K	K
	L2	L2	L2	L2	B	*
	L2	L2	L2	L2	B	*
	*	*	*	*	*	B
HOOKSWITCH LEADS	A	A	A	A	A	A
	G	G	G	C	C	C
	C	C	C	G	G	G

* INSULATED & STORED

TABLE B
 RINGER LEAD CONNECTIONS TO SILENCE RINGER PERMANENTLY

TIP PARTY IDENTIFYING GRD.	RINGER LEADS			
	RED	BLACK	SLATE	SLATE RED
1000 OHMS	*	3	B	*
2650 OHMS	*	3	*	B

ALL OTHER CLASSES OF SERVICE EXCEPT THOSE LISTED ABOVE:
 MOVE (BLK) RINGER LEAD TO "K" TERMINAL OF NETWORK.

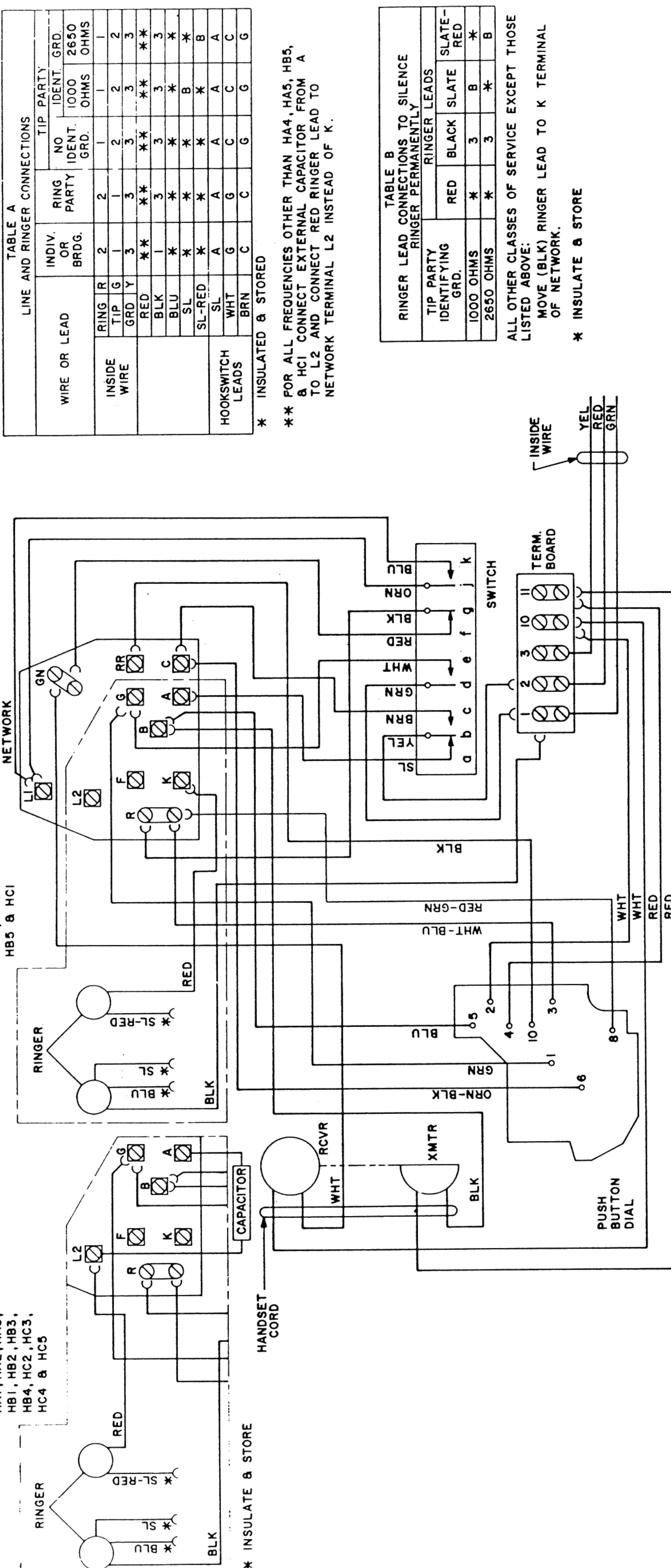
* INSULATE & STORE

2554 TYPE TELEPHONE CIRCUIT
(FREQUENCY SELECTIVE RINGING)

WITH RINGER
HA4, HA5,
HB5 & HC1

WIRING DIAGRAM

WITH RINGER
HA1, HA2, HA3,
HB1, HB2, HB3,
HB4, HC2, HC3,
HC4 & HC5



* INSULATE & STORE

TABLE A
LINE AND RINGER CONNECTIONS

WIRE OR LEAD	INDIV. BRDG.		RING PARTY		TIP PARTY	
	R	G	2	1	NO IDENT. GRD.	2650 OHMS
INSIDE WIRE	R	G	2	1	1	1
	TIP	G	1	2	2	2
	GRD	Y	3	3	3	3
	RED	**	**	**	**	**
	BLK	1	3	3	3	3
	BLU	*	*	*	*	*
	SL	*	*	*	*	*
	SL-RED	*	*	*	*	*
	SL	A	A	A	A	A
	WHT	G	G	G	G	G
	BRN	C	C	C	C	C
HOOKEYSWITCH LEADS						

* INSULATED & STORED
** FOR ALL FREQUENCIES OTHER THAN HA4, HA5, HB5, & HC1 CONNECT EXTERNAL CAPACITOR FROM A TO L2 AND CONNECT RED RINGER LEAD TO NETWORK TERMINAL L2 INSTEAD OF K.

TABLE B
RINGER LEAD CONNECTIONS TO SILENCE RINGER PERMANENTLY

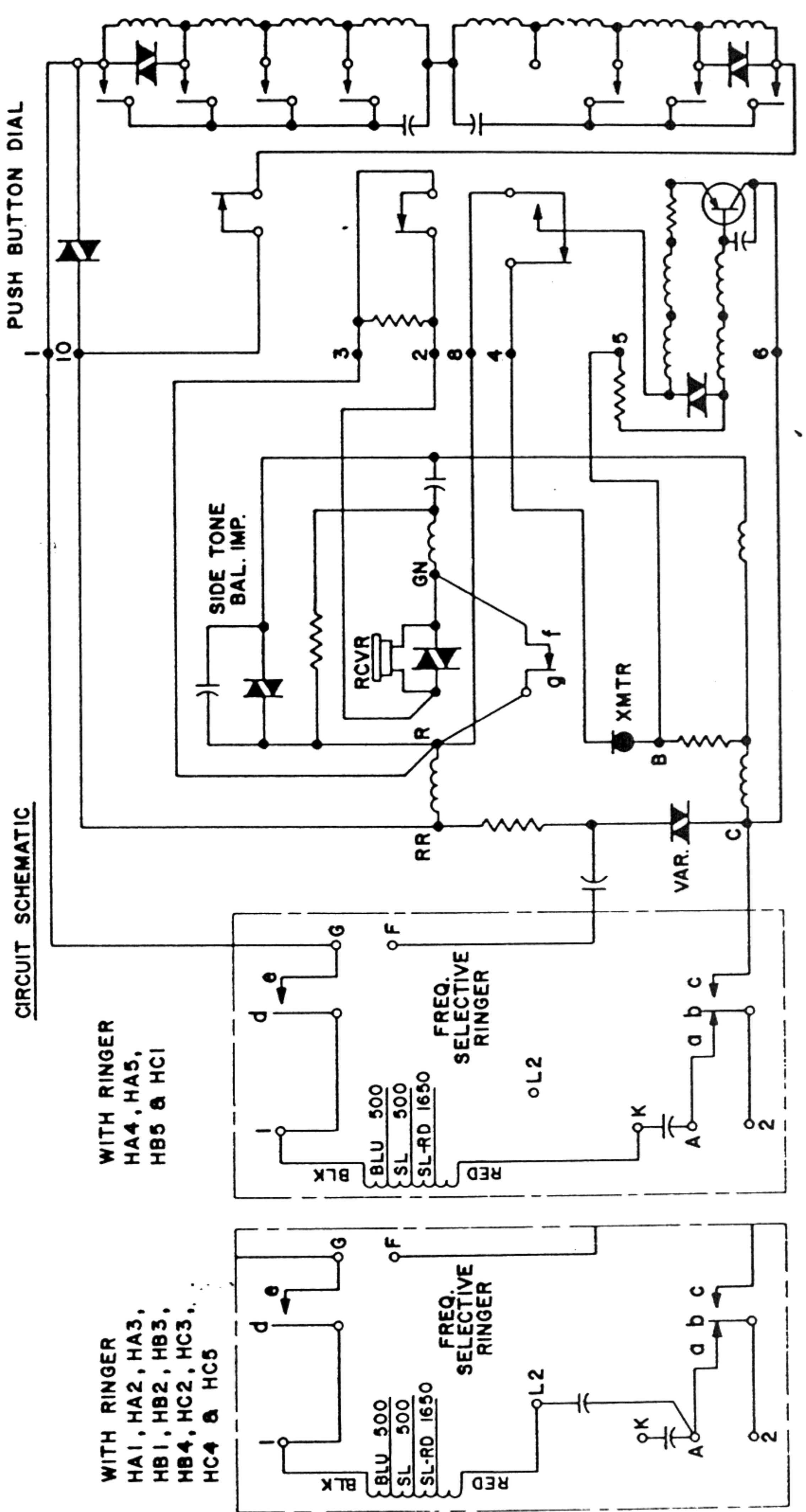
TIP PARTY IDENTIFYING GRD.	RINGER LEADS		
	RED	BLACK	SLATE-RED
1000 OHMS	*	3	B
2650 OHMS	*	3	* B

ALL OTHER CLASSES OF SERVICE EXCEPT THOSE LISTED ABOVE:
MOVE (BLK) RINGER LEAD TO K TERMINAL OF NETWORK.
* INSULATE & STORE

NOTE:
1- RINGER CUT-OFF CONTROL BY CUSTOMER: BEND TANG ON VOLUME CONTROL BRACKET FORWARD (TOWARD FRONT OF UNIT) TO ALLOW LINKAGE TO MOVE RINGER TONE LEVER TO MAXIMUM CUT-OFF POSITION.

TABLE C
RINGER SERIES CAPACITOR

CAPACITOR MFD.	CODE SERIES
.47	HA4, HA5, HB5, HC1, BA, (NET.)
.25	HA1, HB1, HC3
.15	HB2, HC4
.08	HA2, HA3, HB3, HB4, HC2, HC5



CIRCUIT SCHEMATIC

WITH RINGER
HA4, HA5,
HB5 & HC1

WITH RINGER
HA1, HA2, HA3,
HB1, HB2, HB3,
HB4, HC2, HC3,
HC4 & HC5